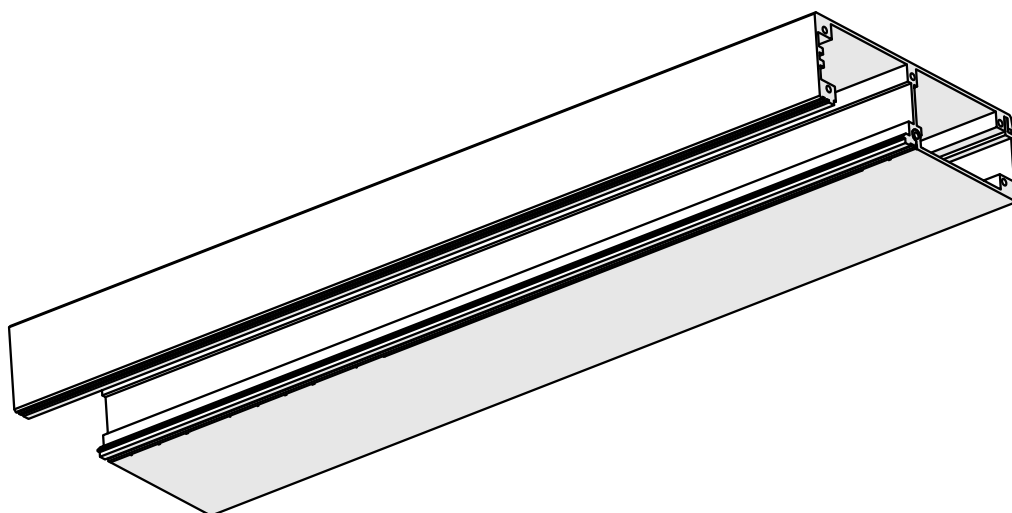
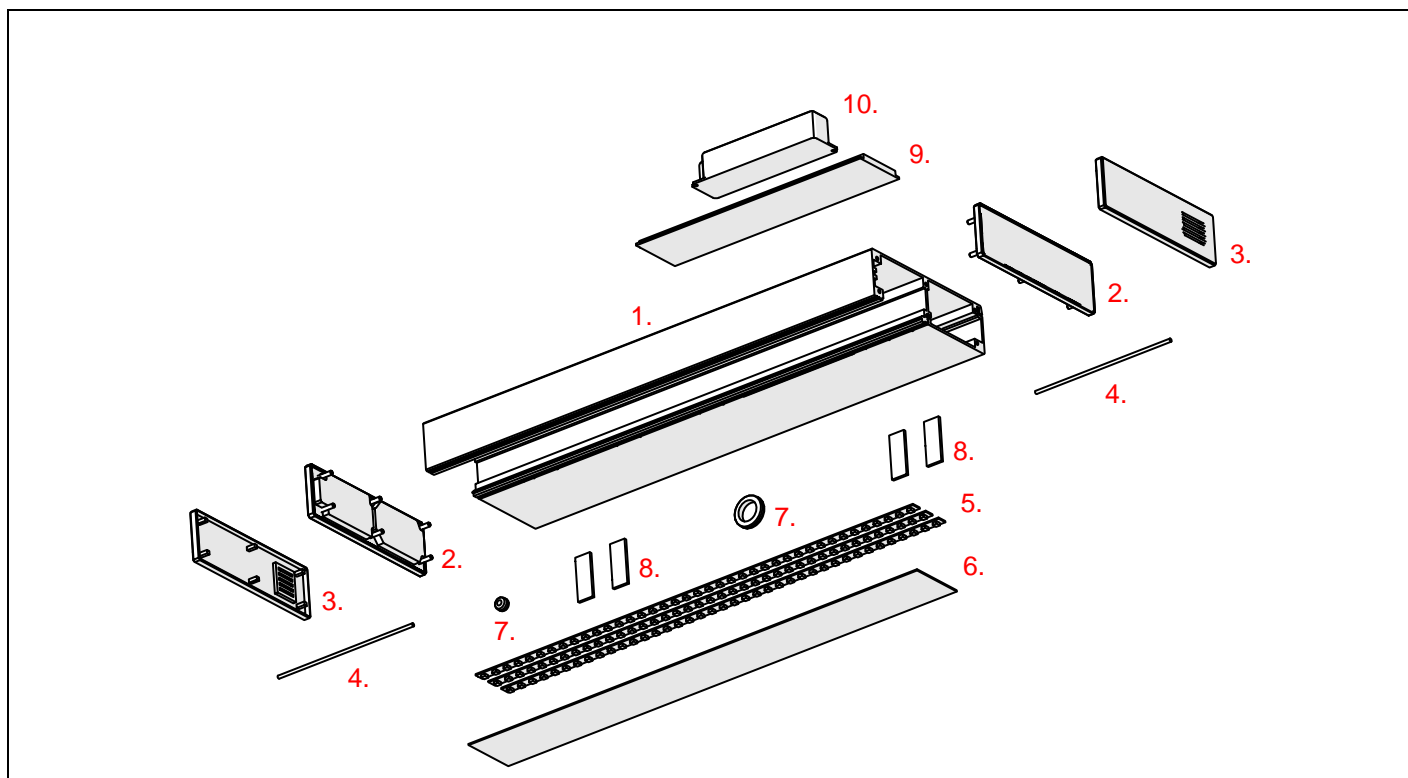
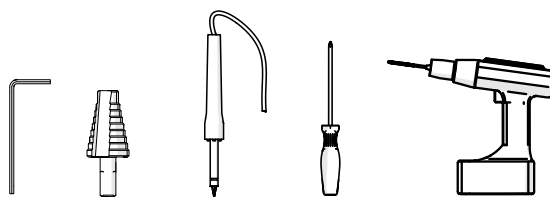
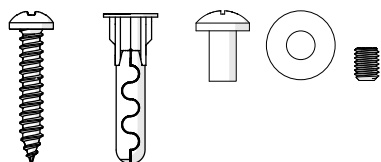


## KIDES Profile





**DOES NOT INCLUDE**

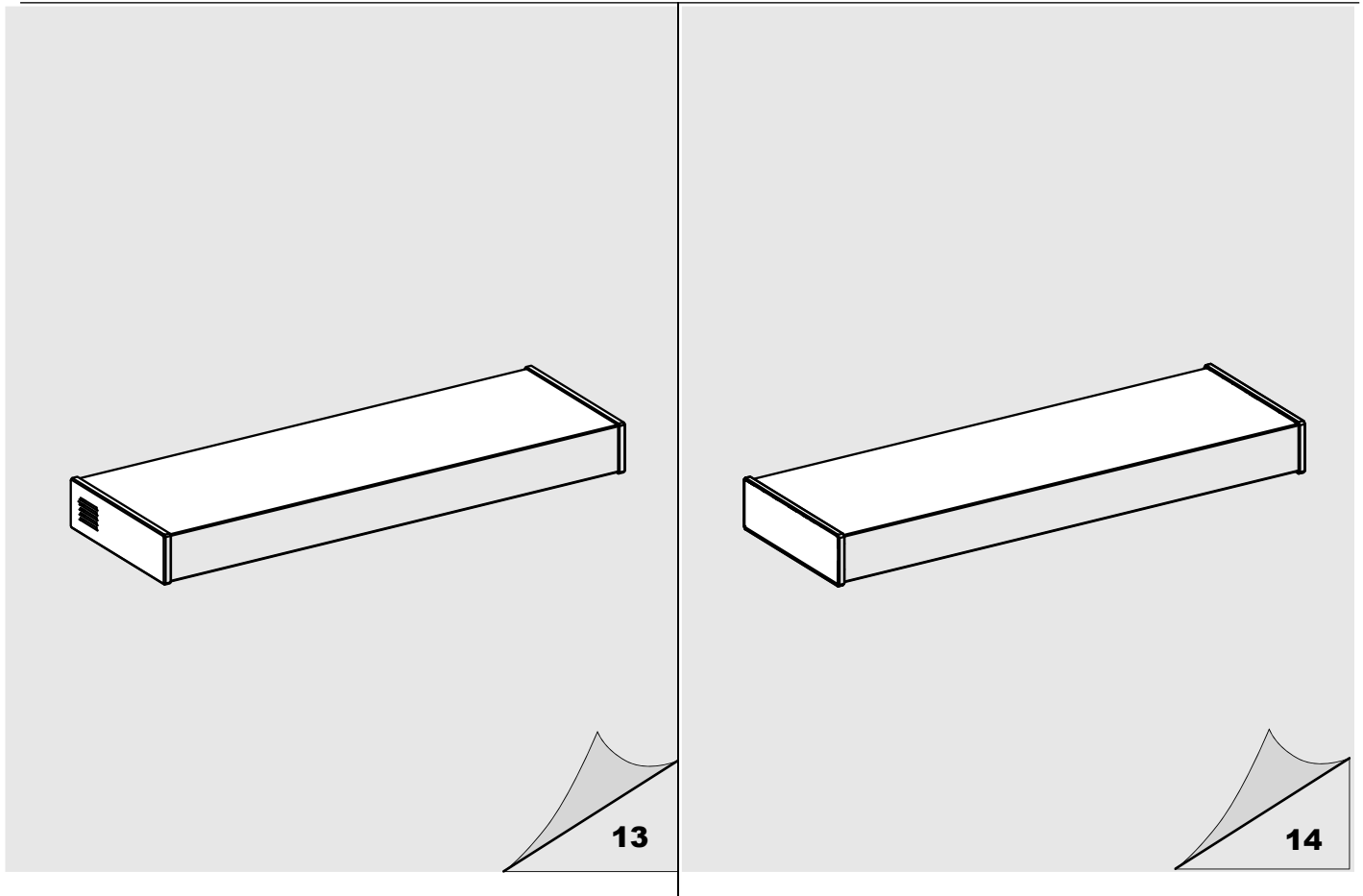


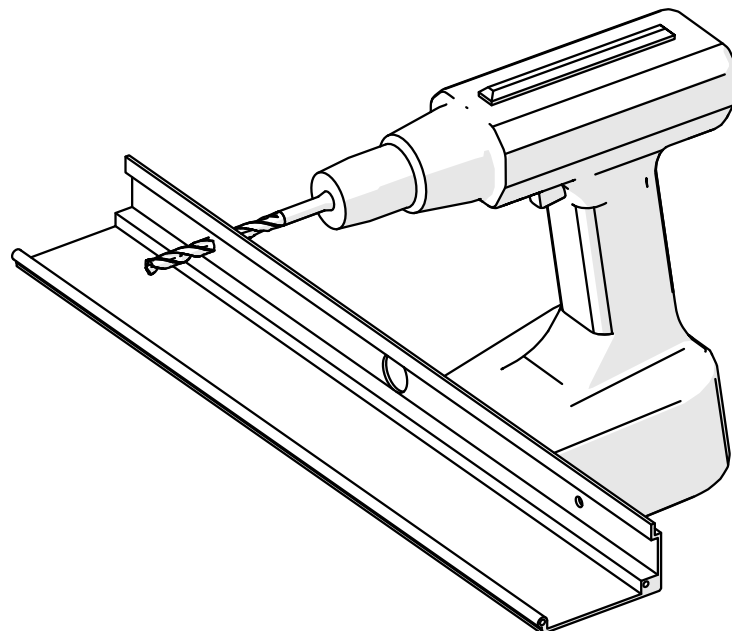
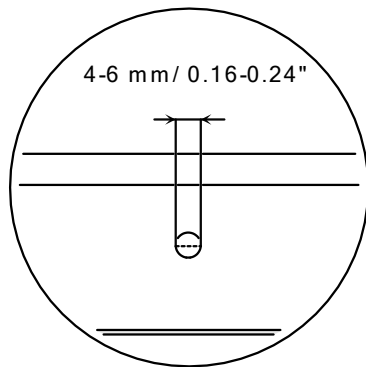
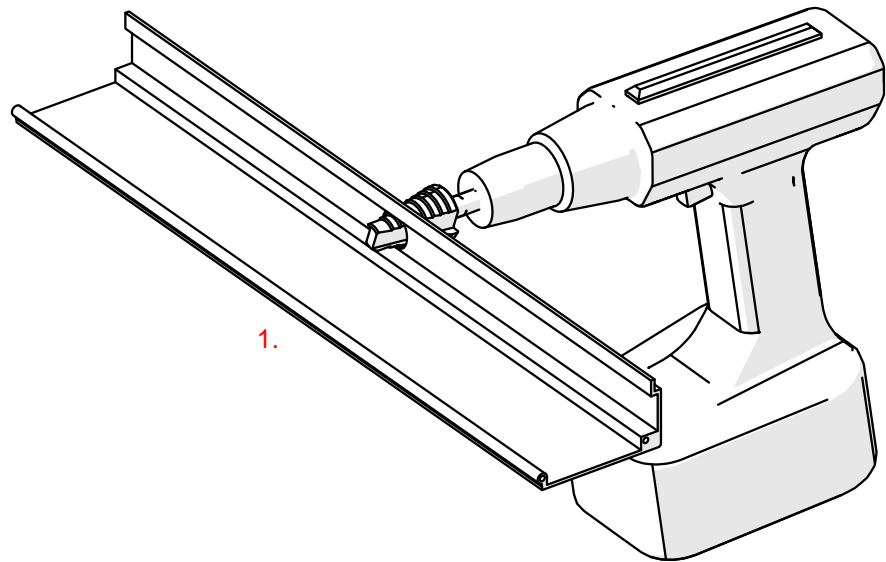
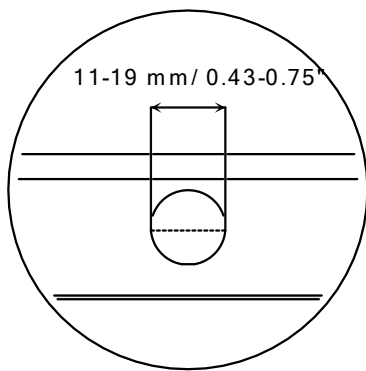
- 1. KIDES Profile (Ref. A18031)
- 2. End cap KIDES (Ref. C28210A01)
- 3. End cap KIDESIN (Ref. C24152L01)
- 4. Plastic rod dia. 2,4 mm
- 5. LED tape\*
- 6. Cover\*
- 7. Gland\*
- 8. Spacers
- 9. Mounting pad\*
- 10. Power supply\*

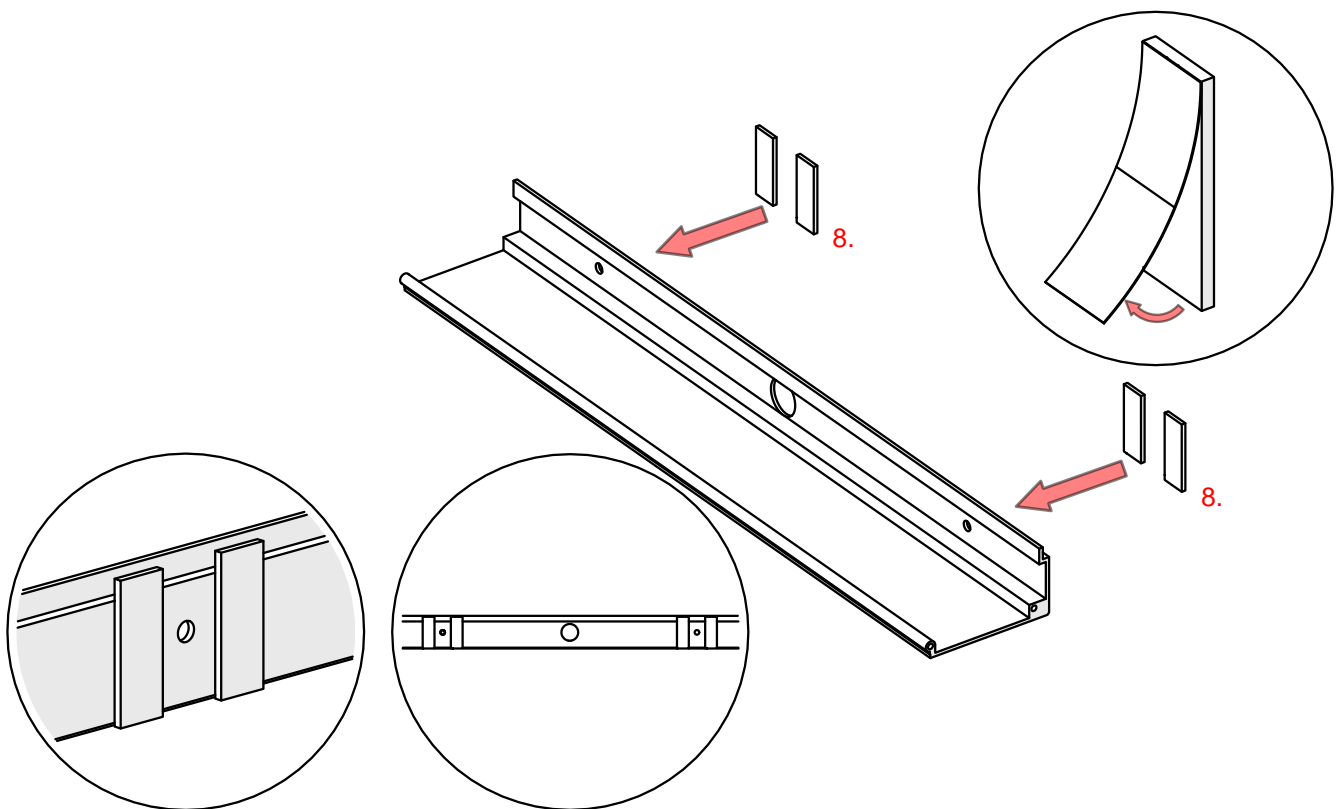
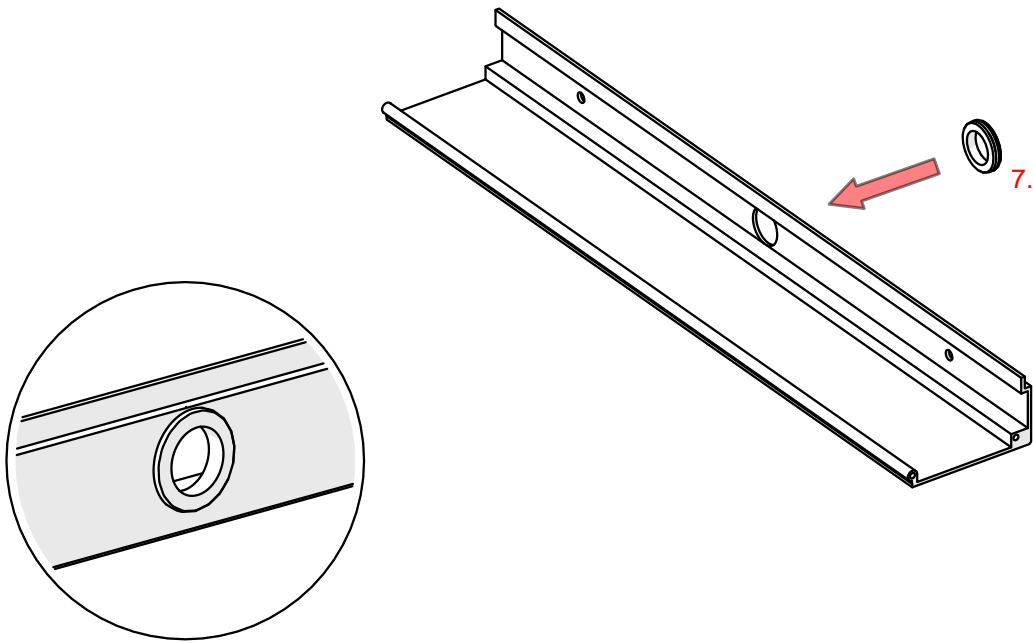
\* The full range of accessories and electronics is available at [www.KlusDesign.eu](http://www.KlusDesign.eu)

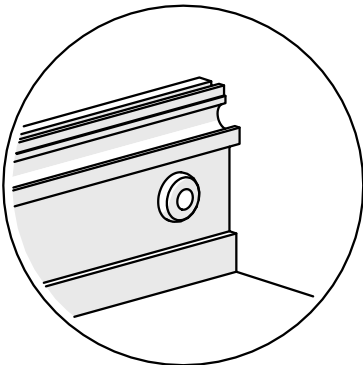
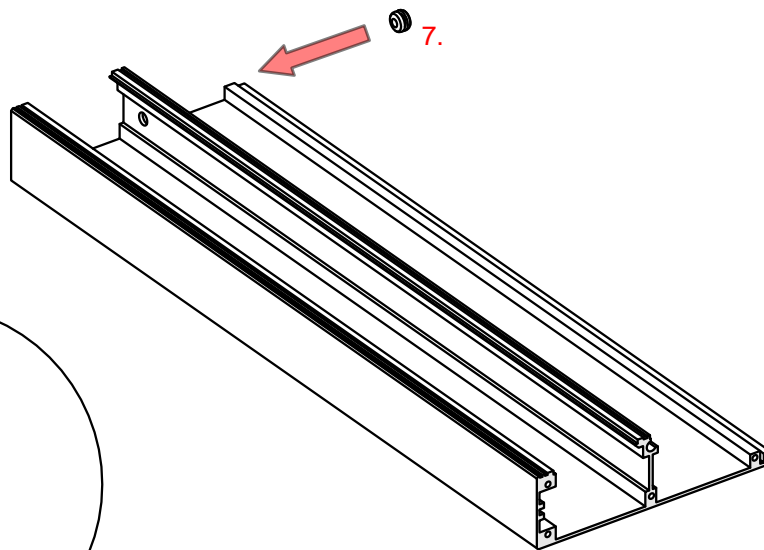
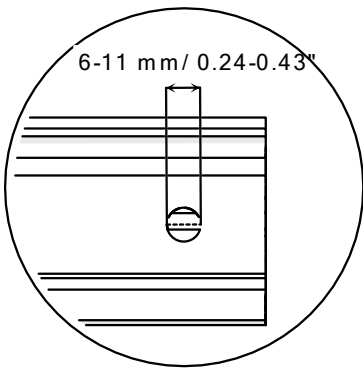
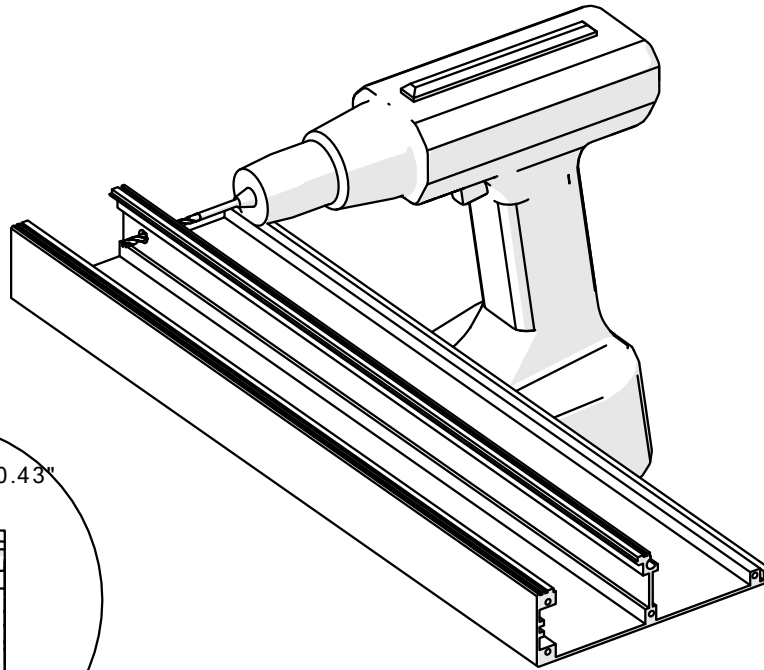
**NOTE! !** All LED tapes must be connected to a 24V DC power supply.

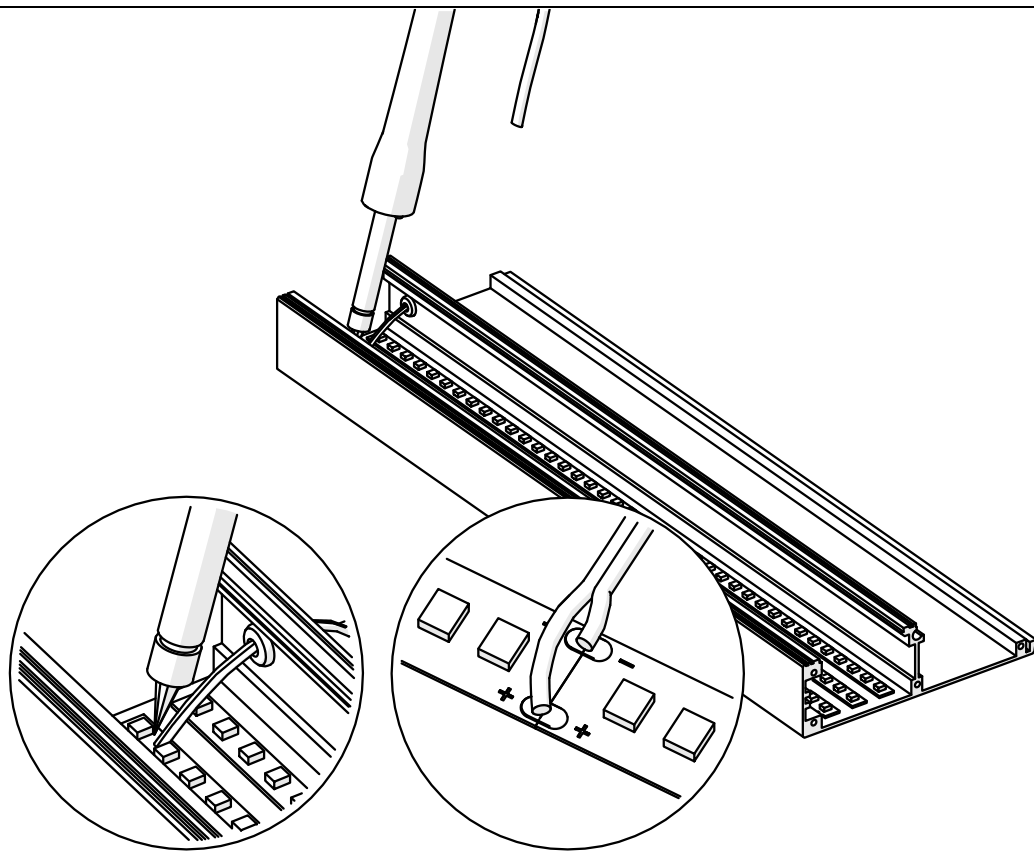
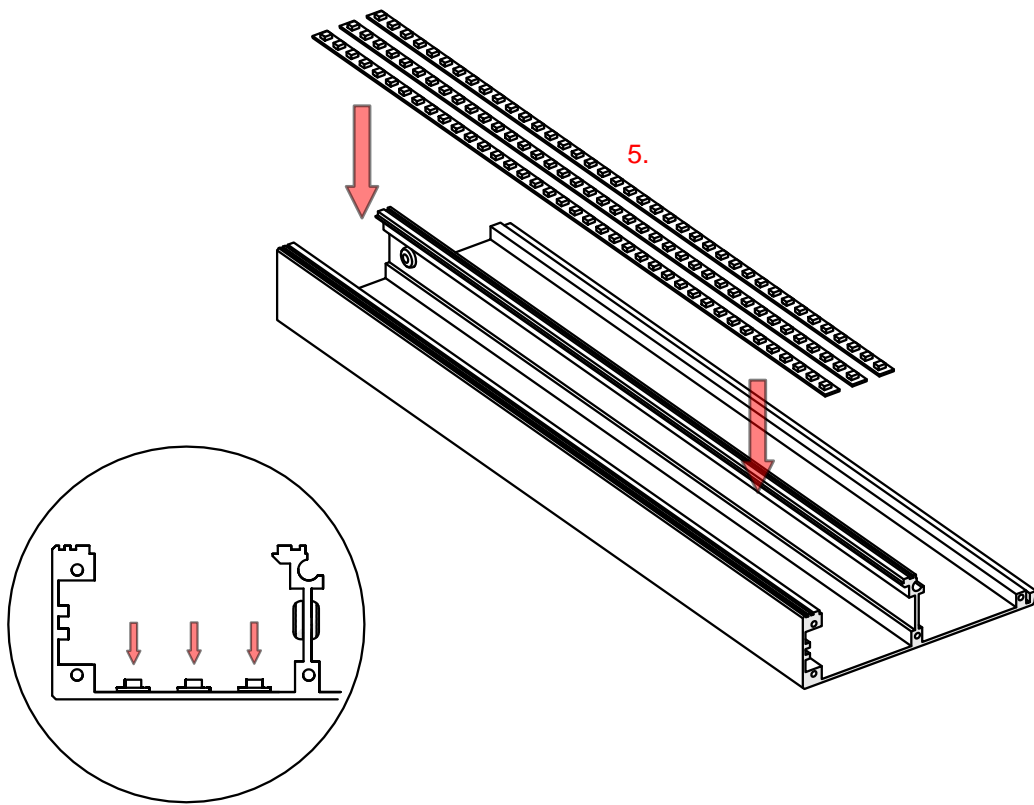
**IMPORTANT:** Not all possible mounting procedures are presented here. More mounting procedures and related accessories can be found at [www.KlusDesign.eu](http://www.KlusDesign.eu). Drawings in these instructions are simplified and only approximate the actual shapes.

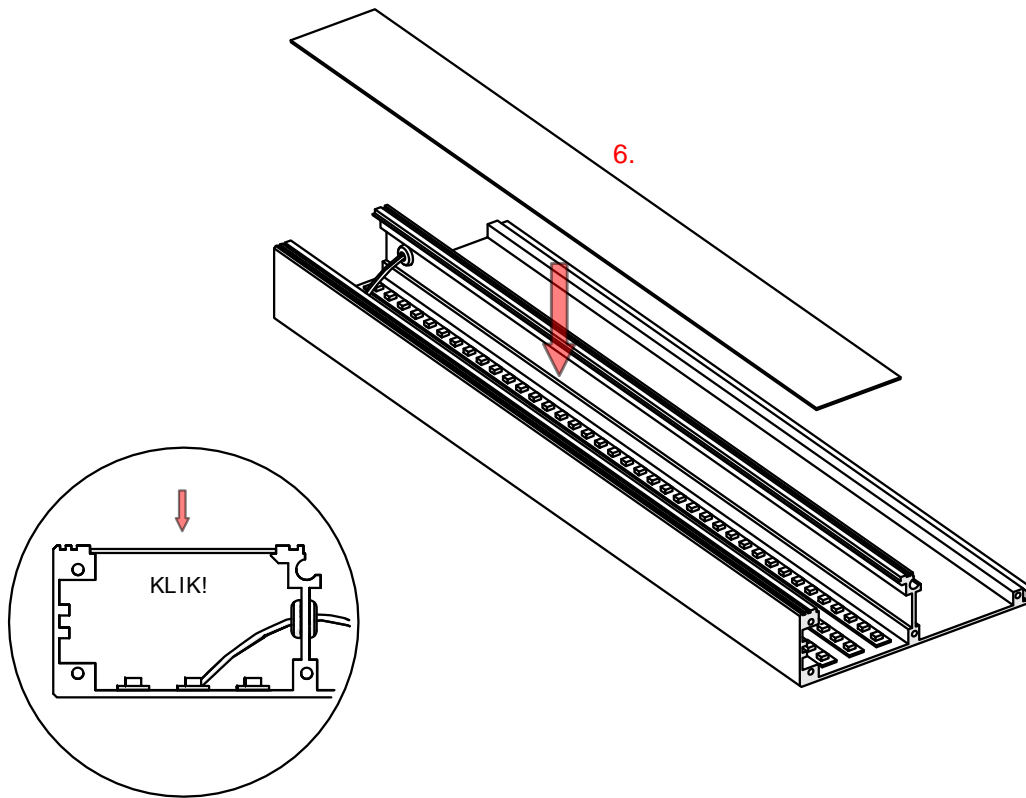












220-240V AC  
50/60Hz

