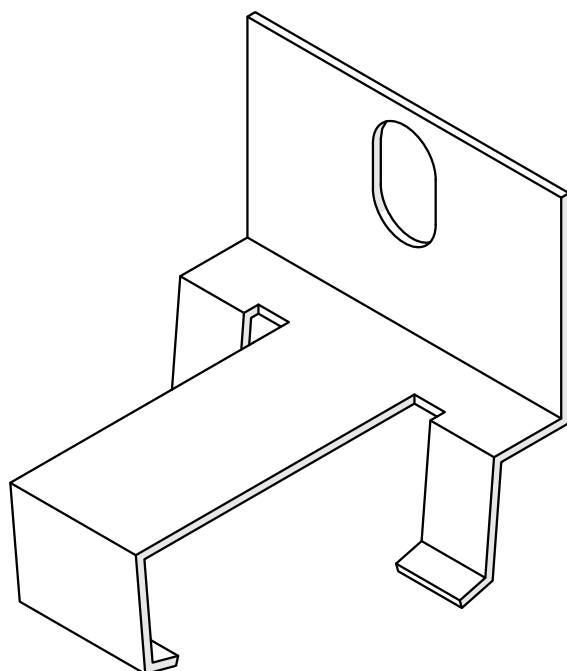
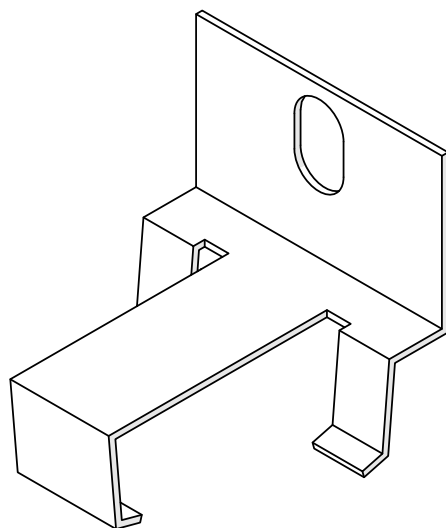


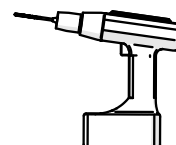
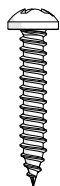
PDS-STN-90G Mounting bracket





1x

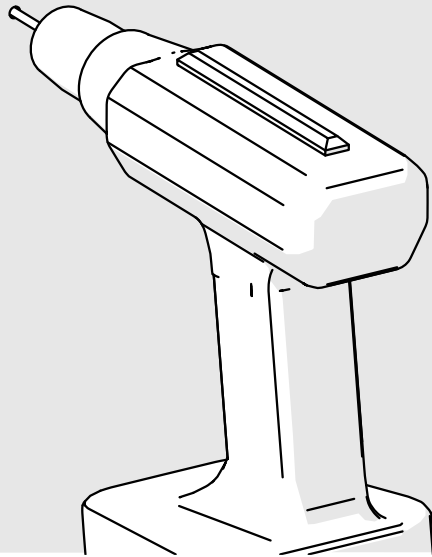
DOES NOT INCLUDE



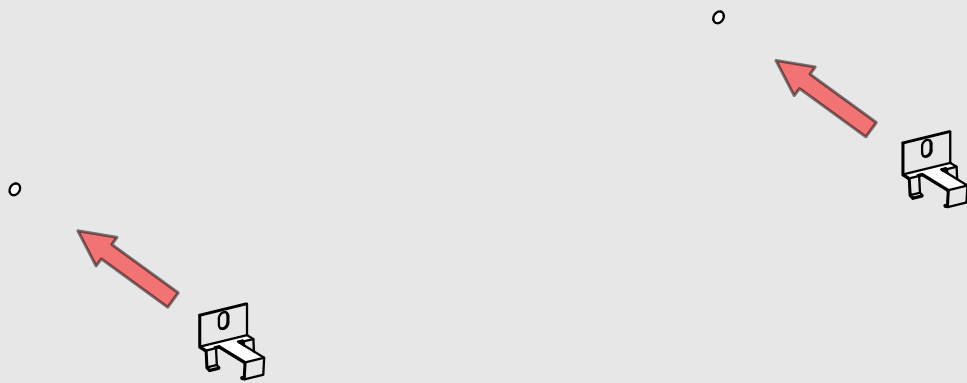
PDS-STN-90G Mounting bracket (ref. C24370N00)

IMPORTANT: Not all possible mounting procedures are presented here. More mounting procedures and related accessories can be found at www.KlusDesign.eu. Drawings in these instructions are simplified and only approximate the actual shapes.

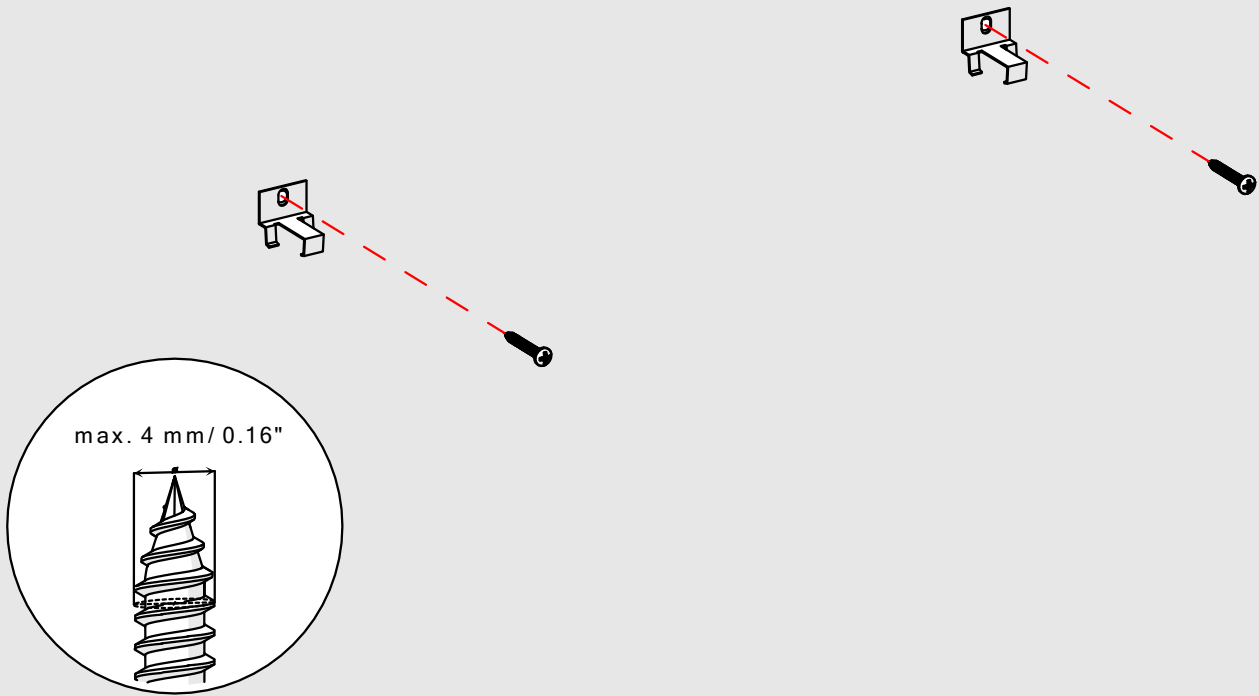
I



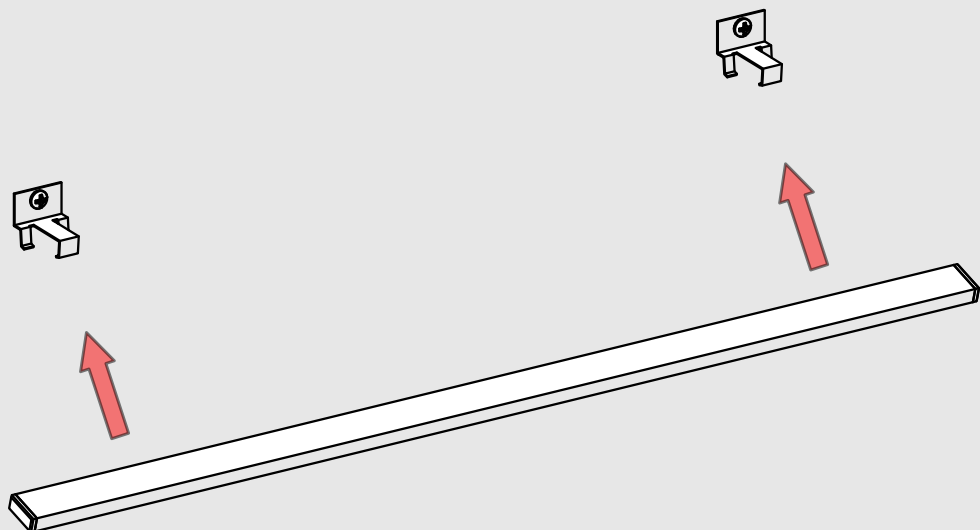
II



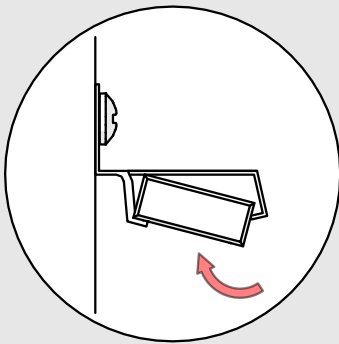
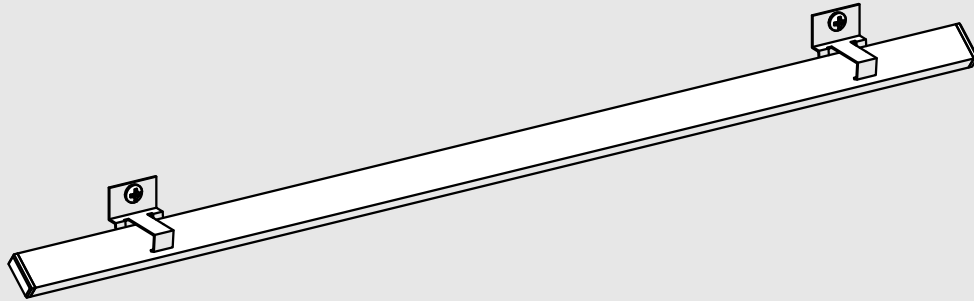
III



IV



V



VI

