

# Fastener FI-8-LIN-Z

Ref. C28173N00, C28173L10, C28173L07

Ref. arch 42288, 42288L9010, 42288L9005



- Mounting to drywall
- Longitudinal suspension for wires
- Single pole conductivity possible

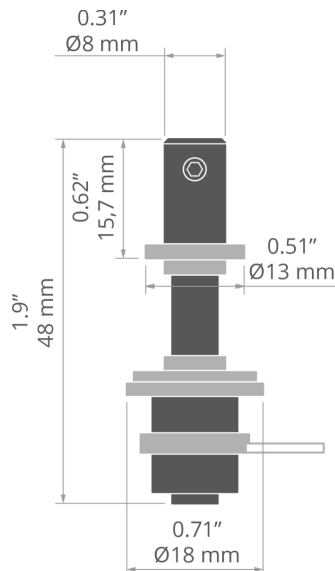
## APPLICATION

- attachment to the surface for LED lighting fixture suspension systems

## MOUNTING

- to the surface, using the included accessory kit
- to the wire with a pressure screw

## TECHNICAL DRAWING



## TECHNICAL SPECIFICATIONS

Width	18 mm
Height	48 mm
Diameter	8 mm
Conducting electricity	yes
Working temperature	60°C
Lifting capacity	10 kg

Material	Color	Maximum current	Loss of voltage	Ref
stainless steel, nylon	■ silver	4.5 A	0.05 V	C28173N00 42288
aluminum, stainless steel, nylon	□ white	8 A	0.04 V	C28173L10 42288L9010
aluminum, stainless steel, nylon	■ black	8 A	0.04 V	C28173L07 42288L9005

# Fastener FI-8-LIN-Z

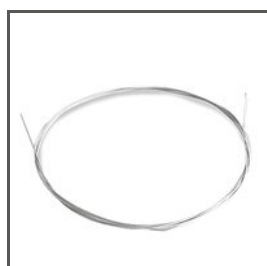
Ref. C28173N00, C28173L10, C28173L07

Ref. arch 42288, 42288L9010, 42288L9005

## SAMPLE PROJECTS



## RELATED ACCESSORIES > OTHER RELATED ACCESSORIES > WIRES AND RODS



LINKA STALOWA

**FI-1 1m**  
C24522N00  
Ref. arch 1397



WIRE

**CU FI 0,95 mm**  
Z70240  
Ref. arch 70240



WIRE

**0,5 mm**  
Z70499  
Ref. arch 70499