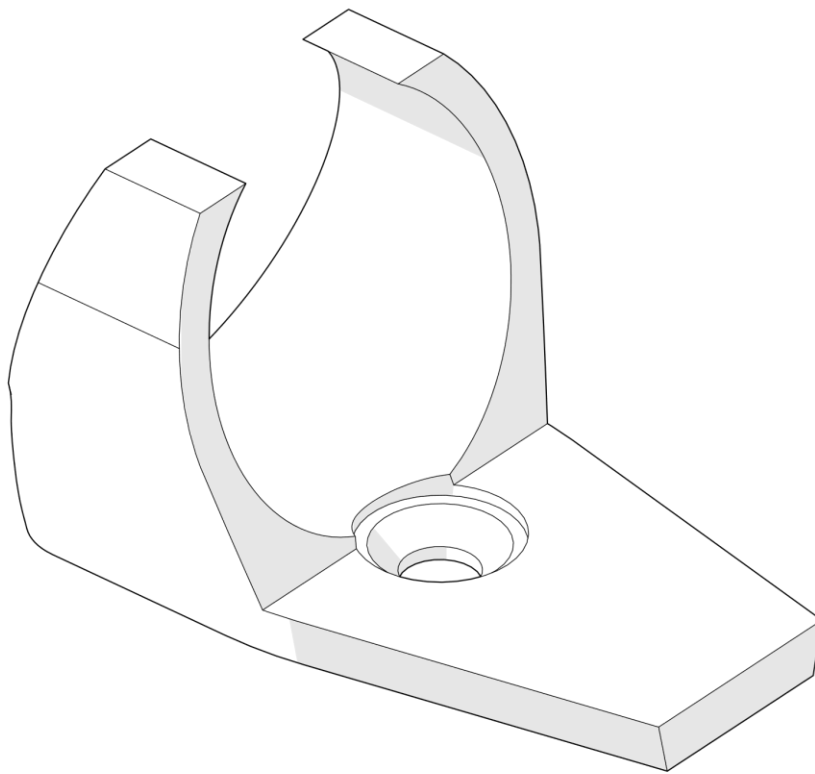
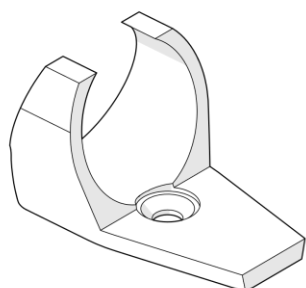
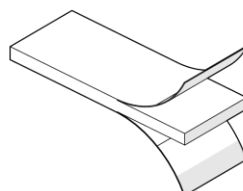


PLD-20 mounting bracket

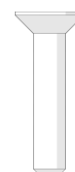




2x



2x



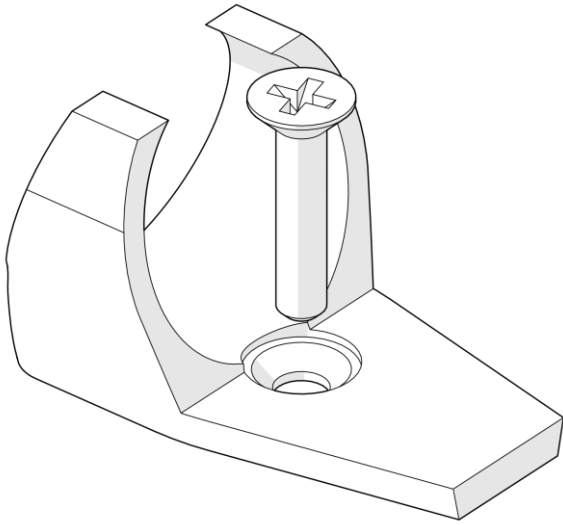
2x



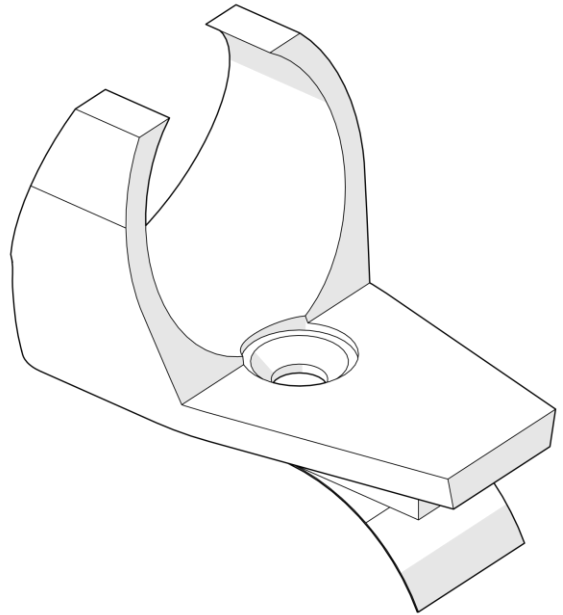
PLD-20 mounting bracket (ref. 42140)

IMPORTANT: Not all possible mounting procedures are presented here. More mounting procedures and related accessories can be found at www.KlusDesign.eu. Drawings in these instructions are simplified and only approximate the actual shapes.

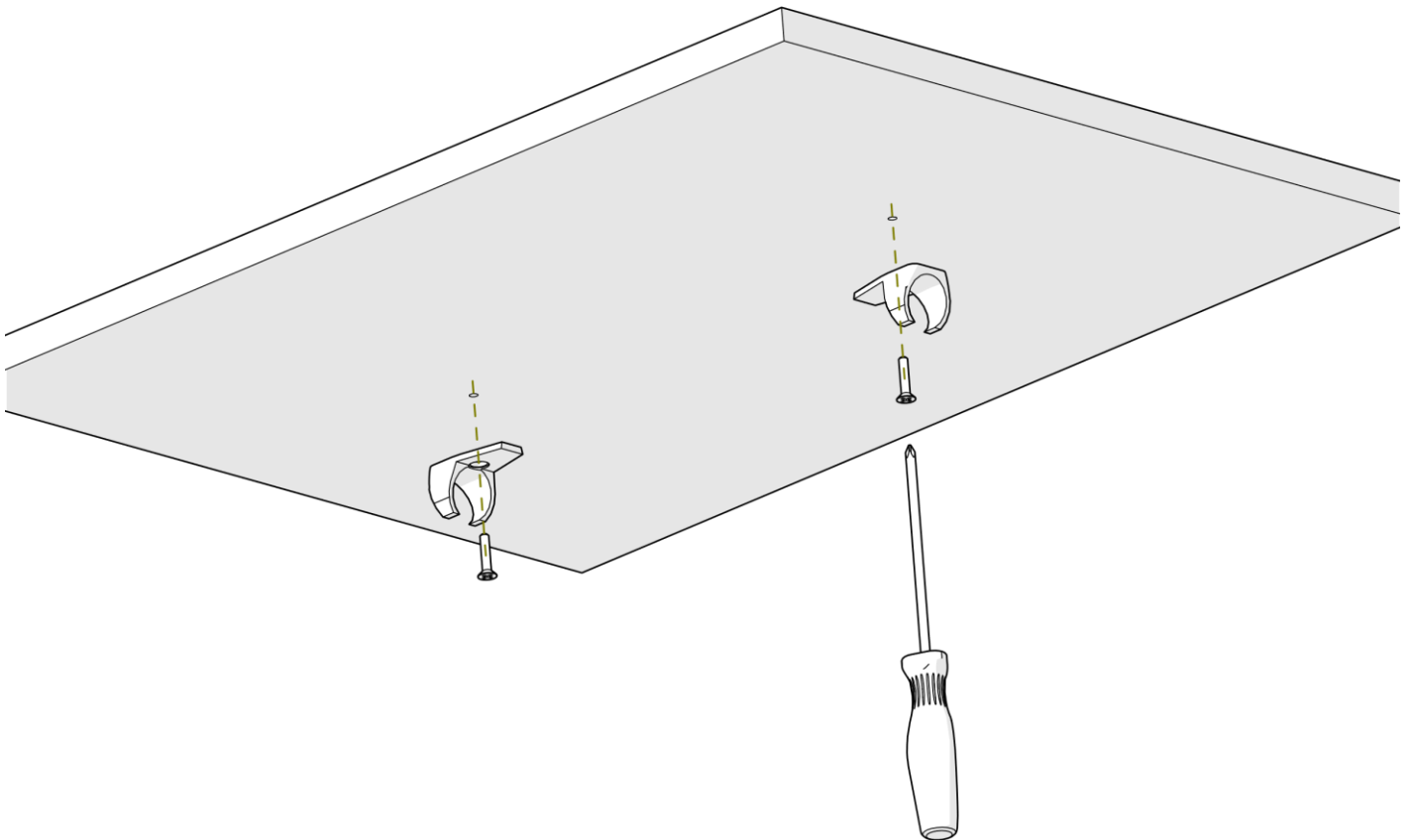
2

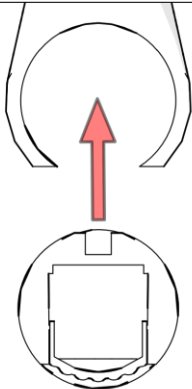
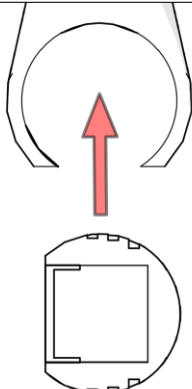


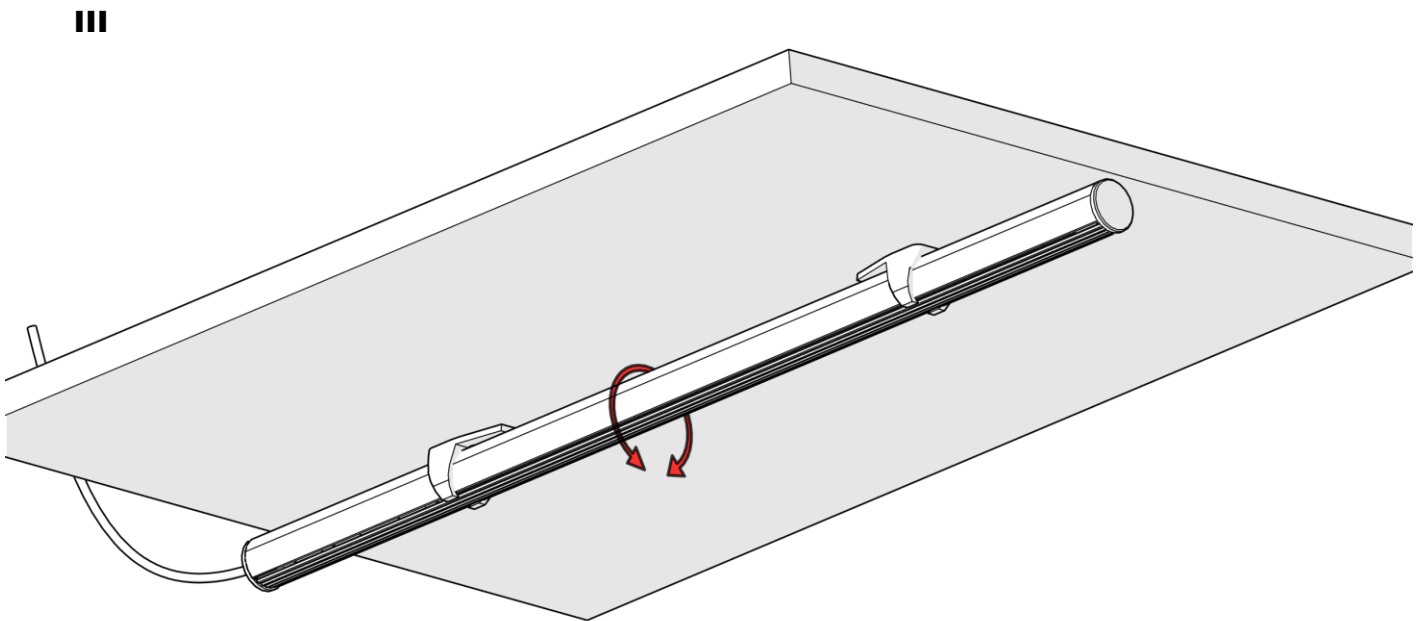
4



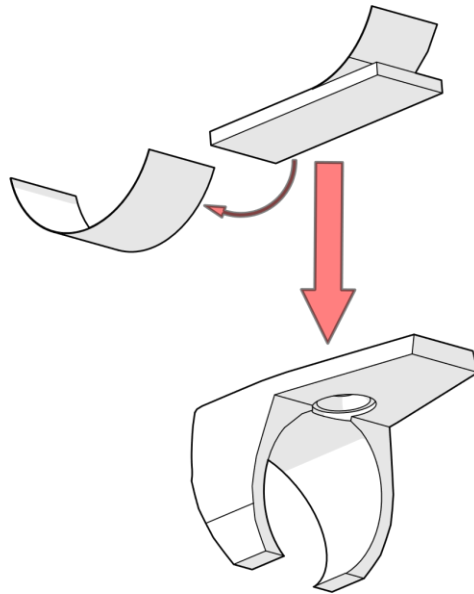
I



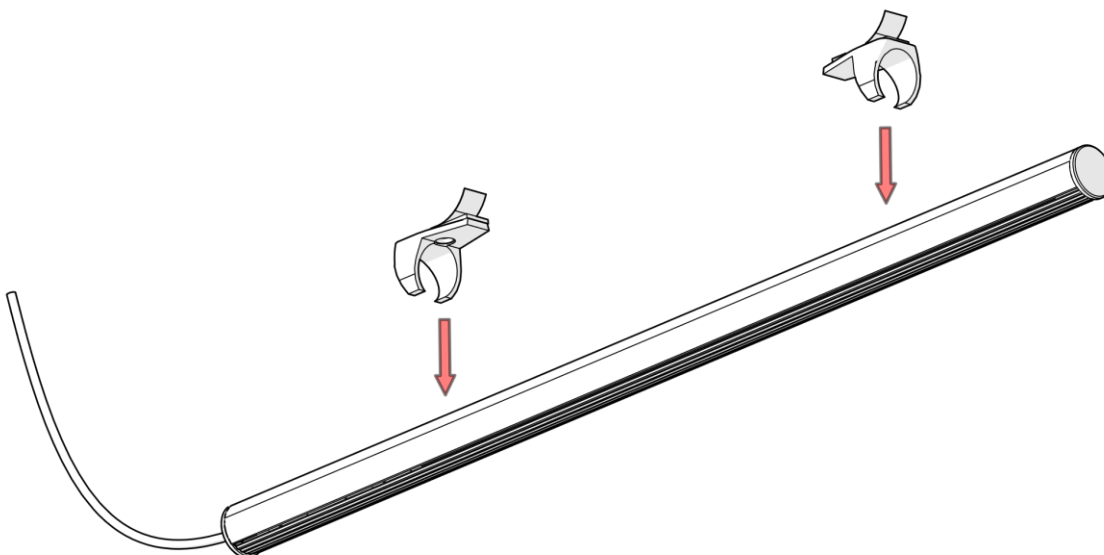
II	OLEK	PDS-O
		



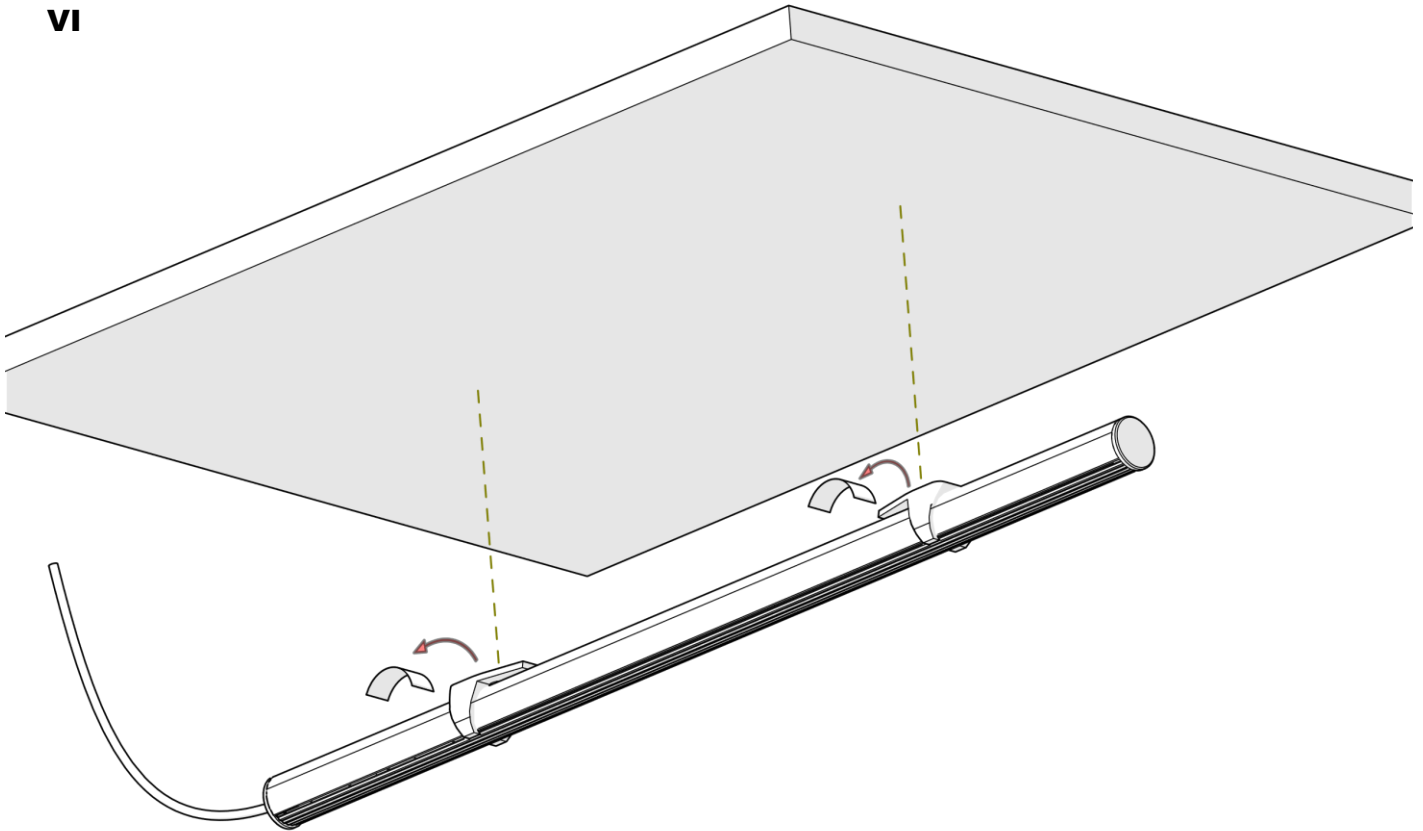
IV



V



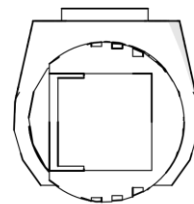
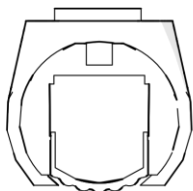
VI



VII

OLEK

PDS-O



VIII

