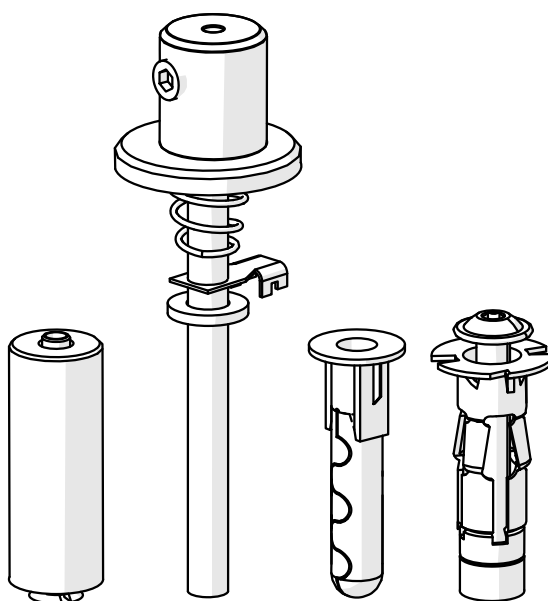
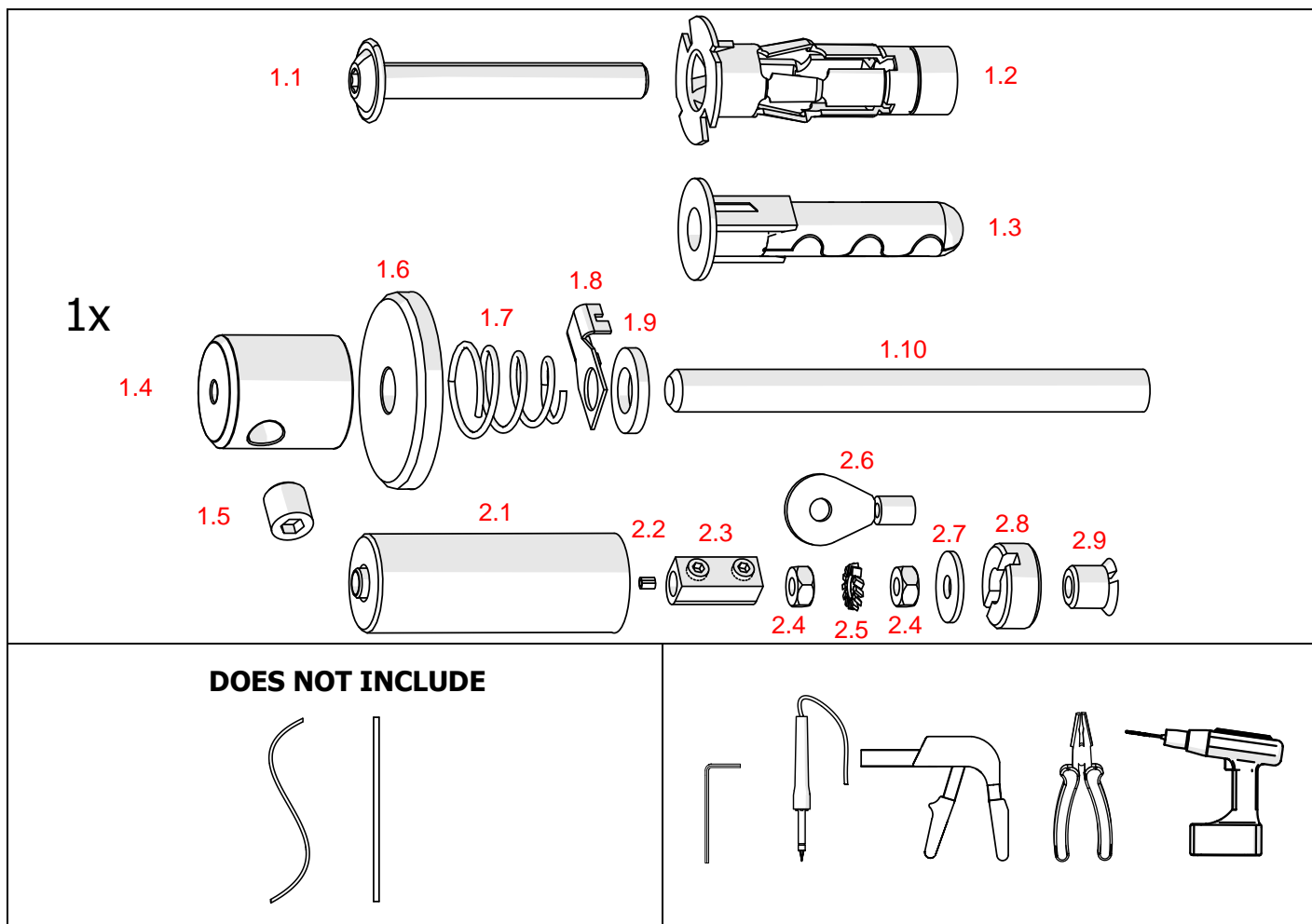


## Fastener set PUSZ-MR-1

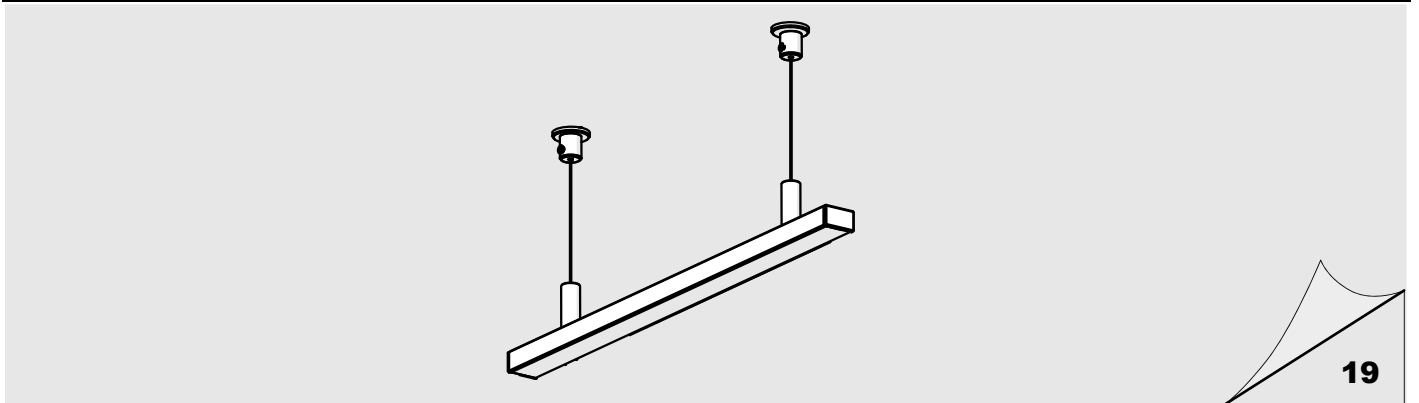
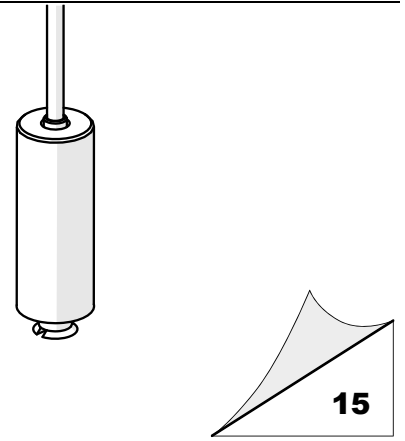
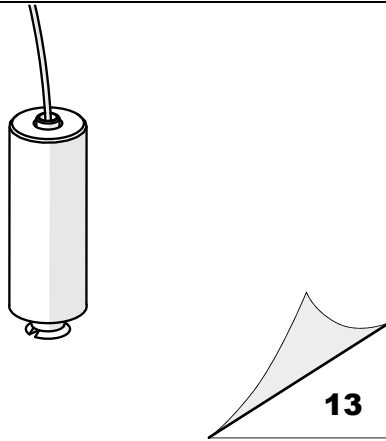
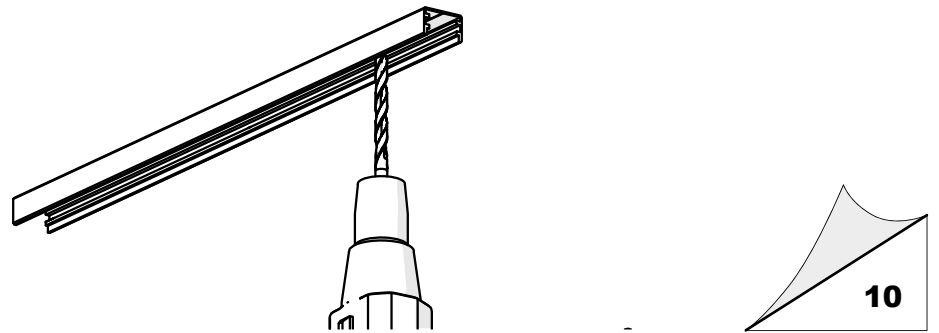
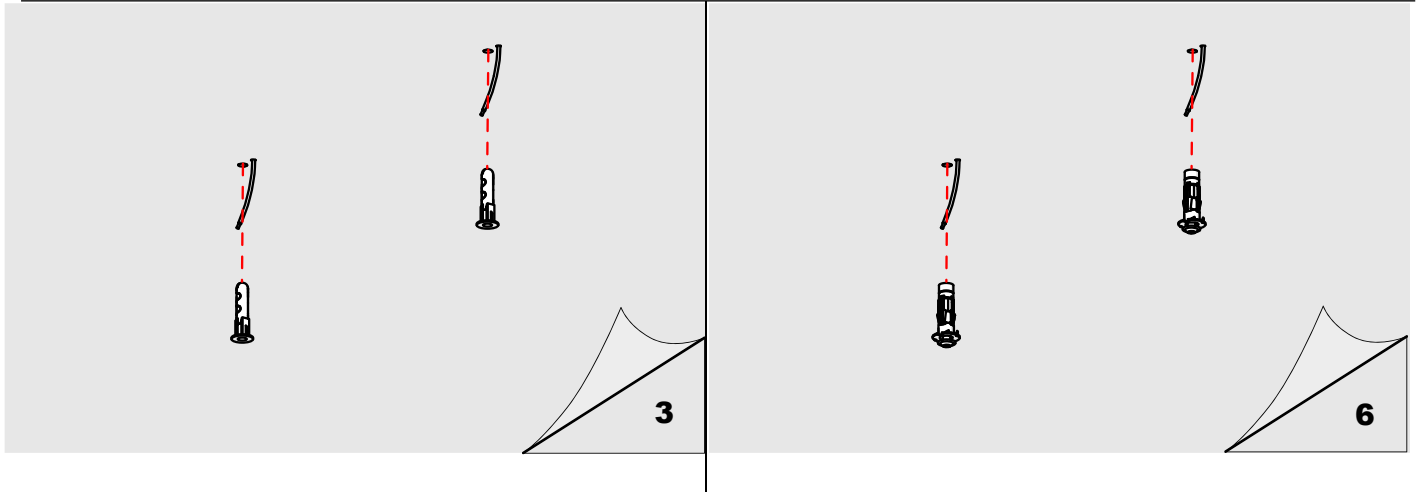




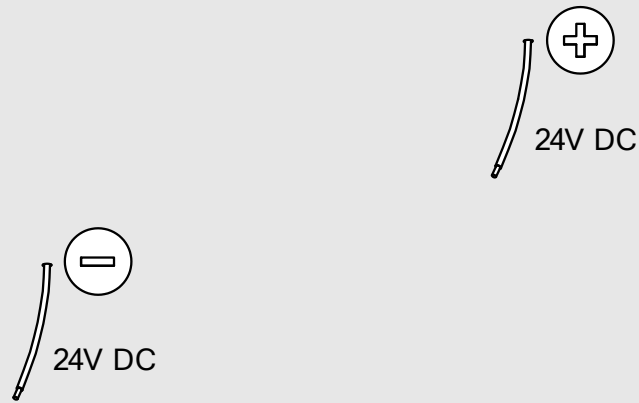
Fastener set PUSZ-MR-1 (ref. C28132)

- 1.1 Screw M6x45
- 1.2 Drywall anchor M6x37
- 1.3 Nail anchor M6x60
- 1.4 Connector conductive
- 1.5 Pressure screw M6x6
- 1.6 Fastener masking cover
- 1.7 Conical spring
- 1.8 Power connector dia. 6
- 1.9 Pad M6
- 1.10 Pressure screw M6x70
- 2.1 PUSZ head
- 2.2 Sleeve for the cable clamp
- 2.3 Conductive terminal block with screws
- 2.4 Nut M3
- 2.5 Locking washer M3
- 2.6 Power connector dia. 3
- 2.7 Pad 3,2
- 2.8 PUSZ head connector
- 2.9 MR hook

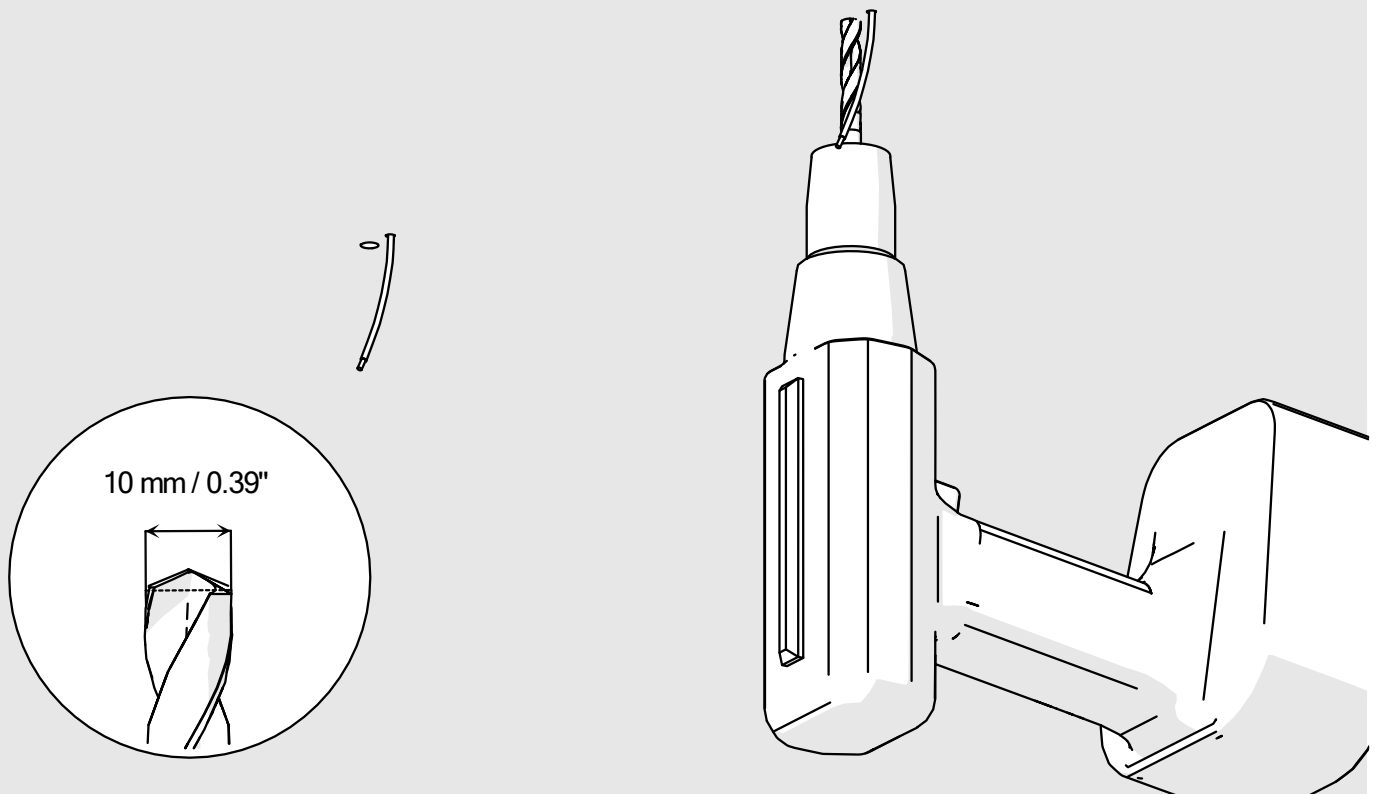
**IMPORTANT:** Not all possible mounting procedures are presented here. More mounting procedures and related accessories can be found at [www.KlusDesign.eu](http://www.KlusDesign.eu). Drawings in these instructions are simplified and only approximate the actual shapes.



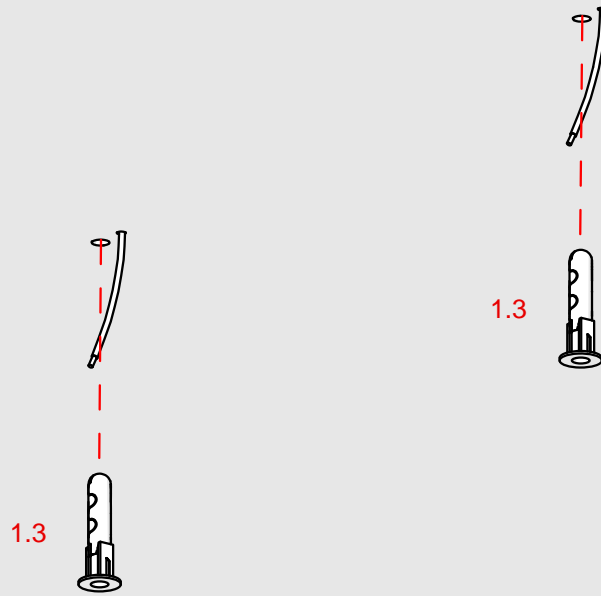
**Ia**



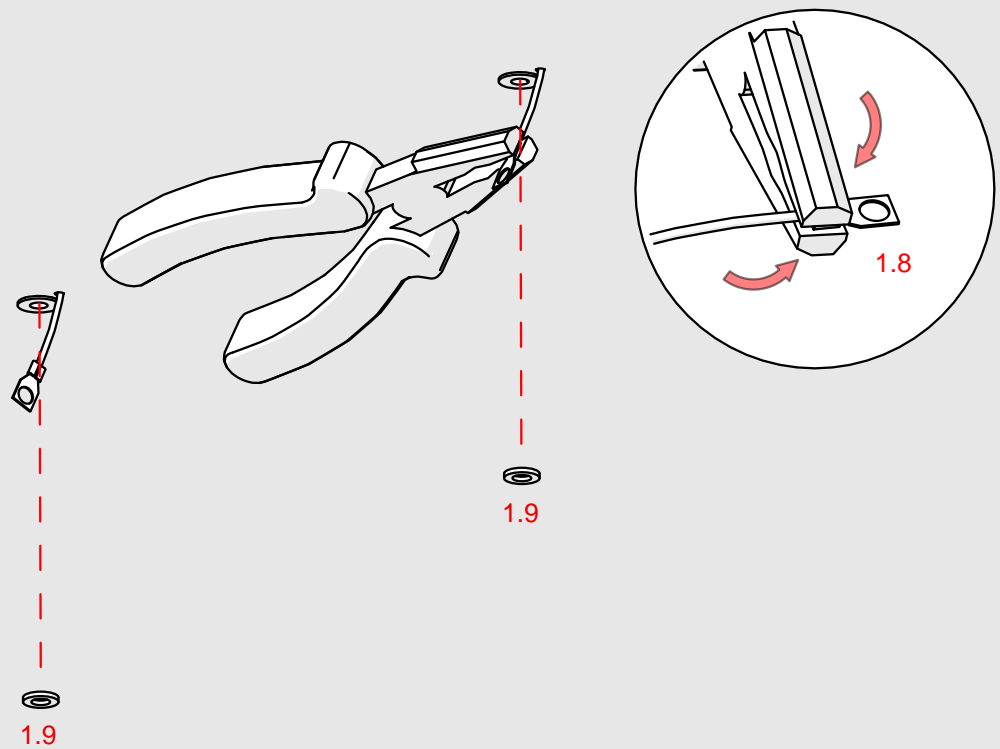
**Ila**



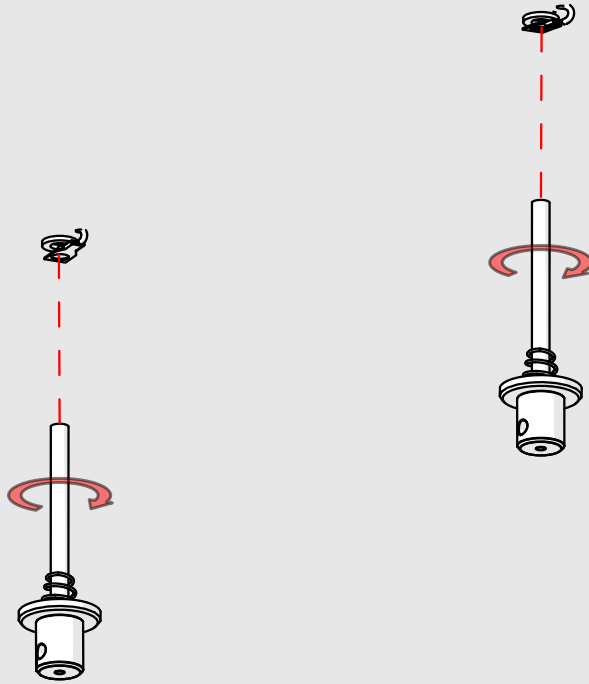
**IIIa**



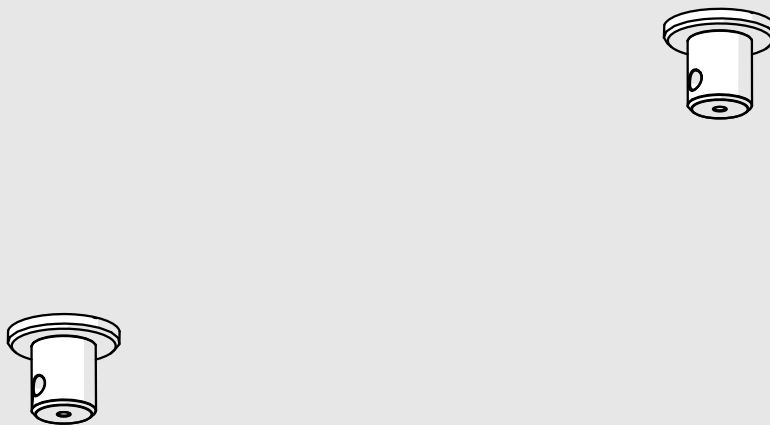
**IVa**



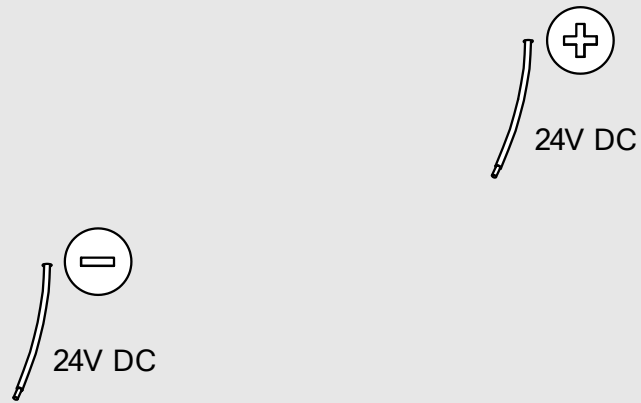
**Va**



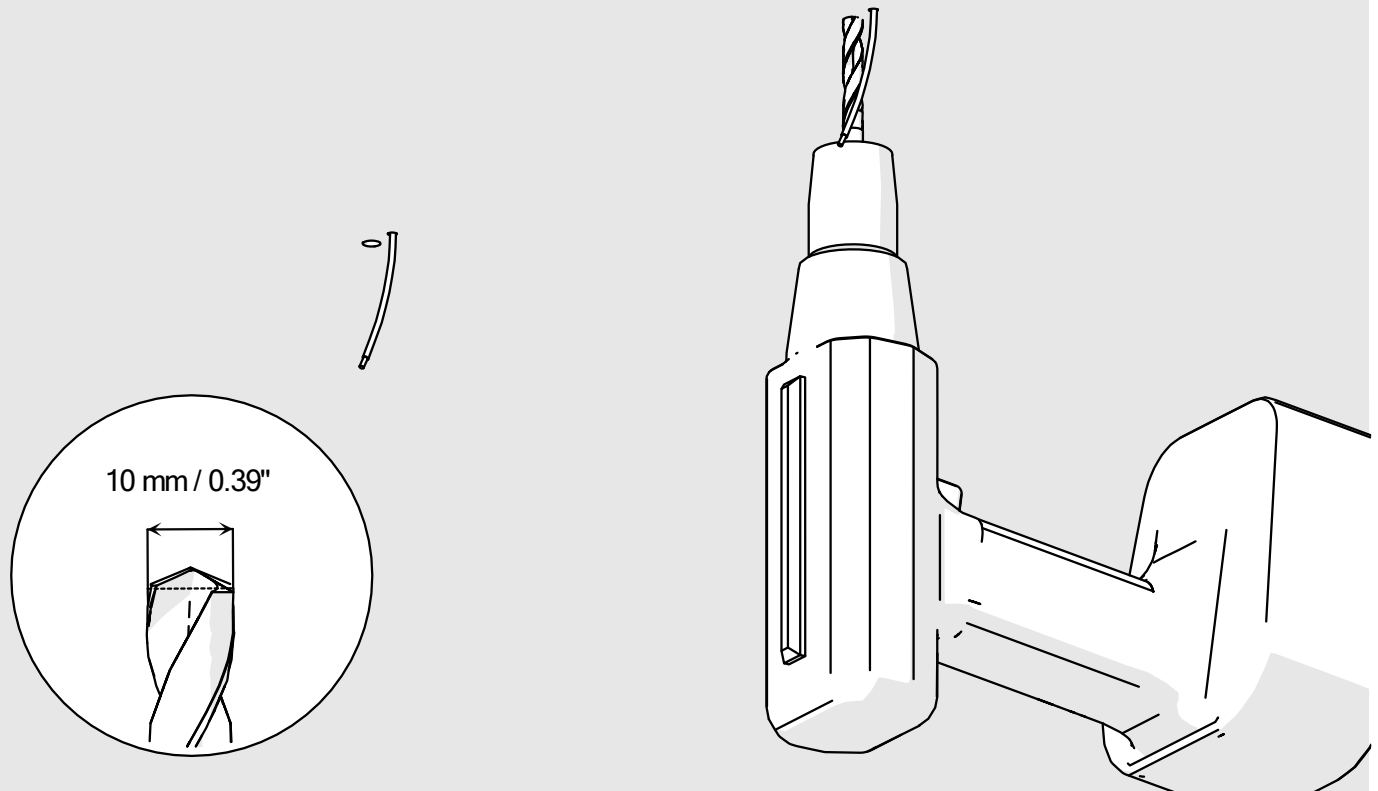
**Vla**



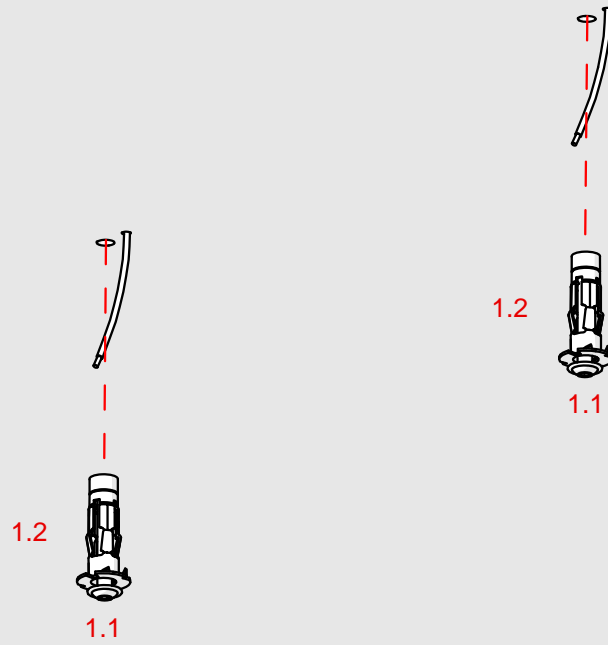
**Ib**



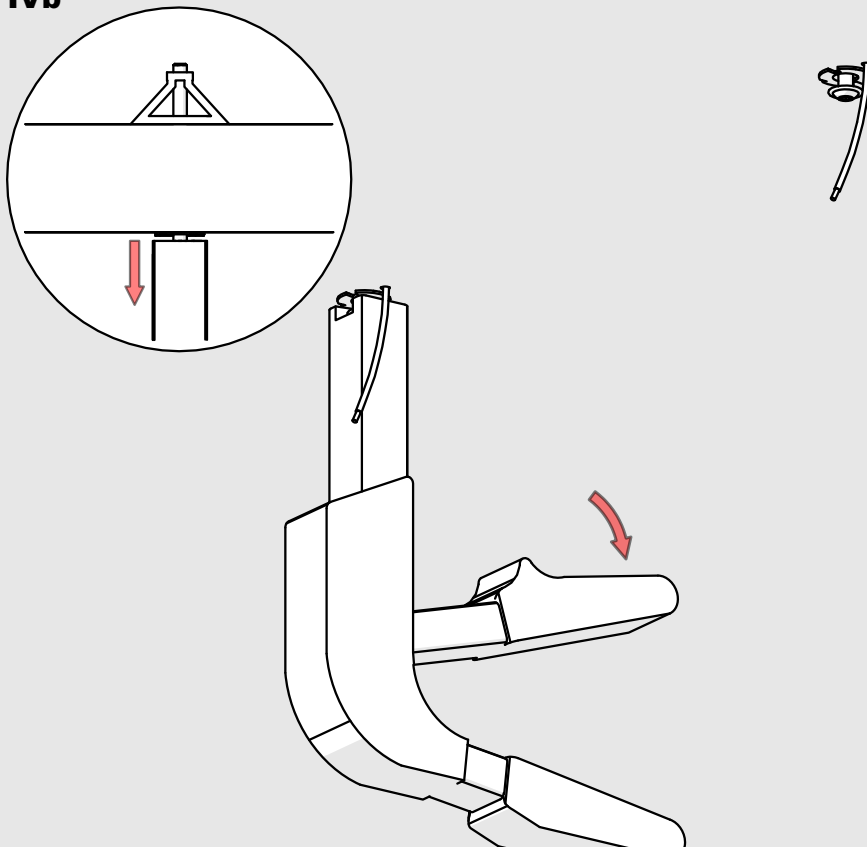
**IIb**



**IIIb**

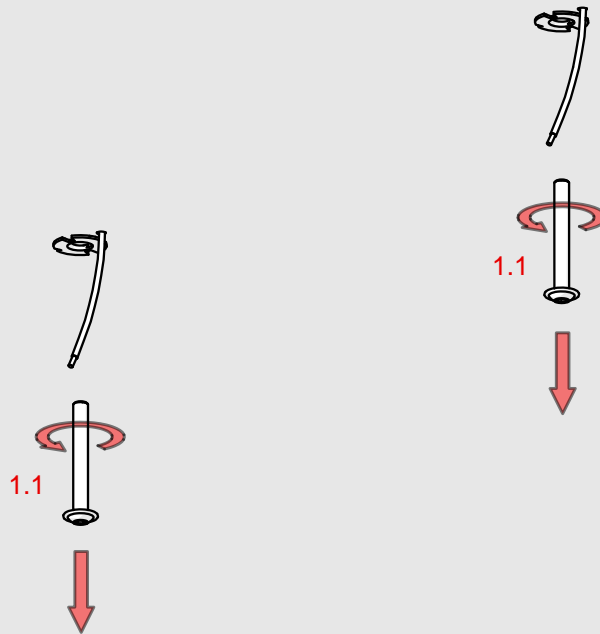


**IVb**

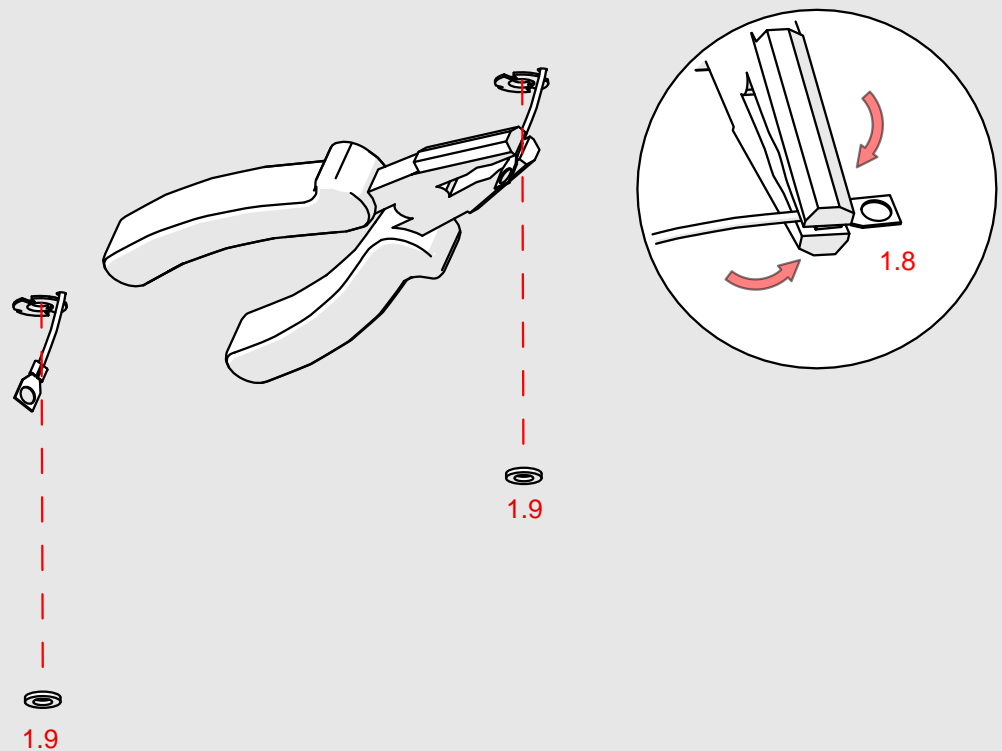




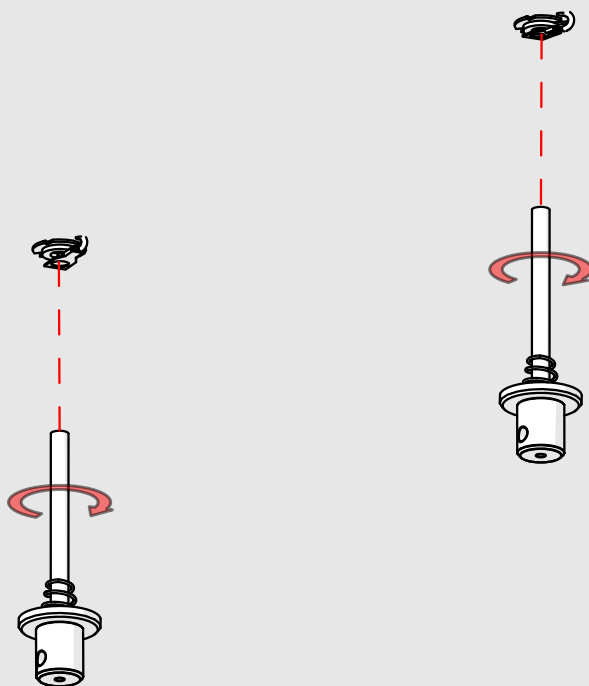
**Vb**



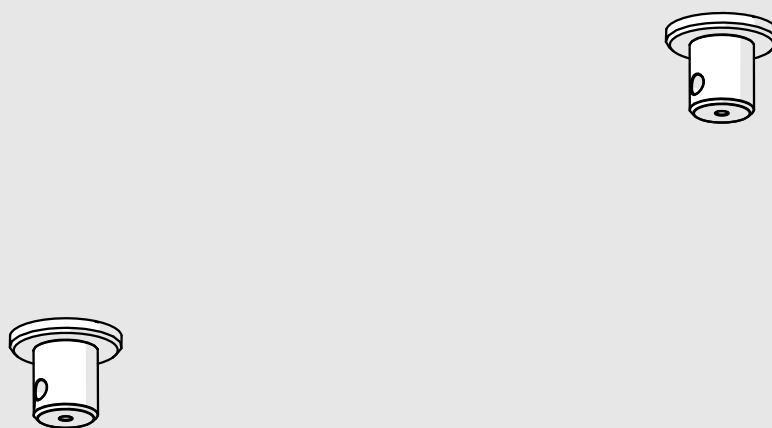
**Vlb**



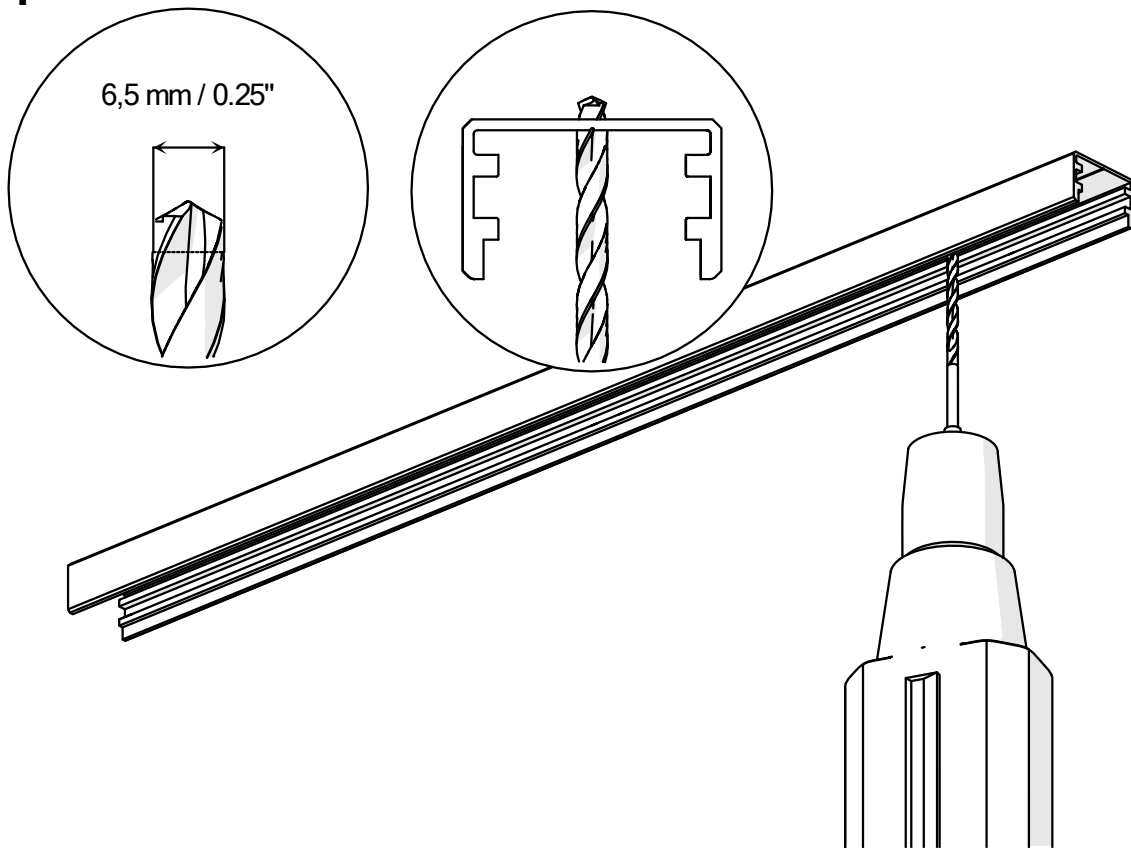
**VIIb**



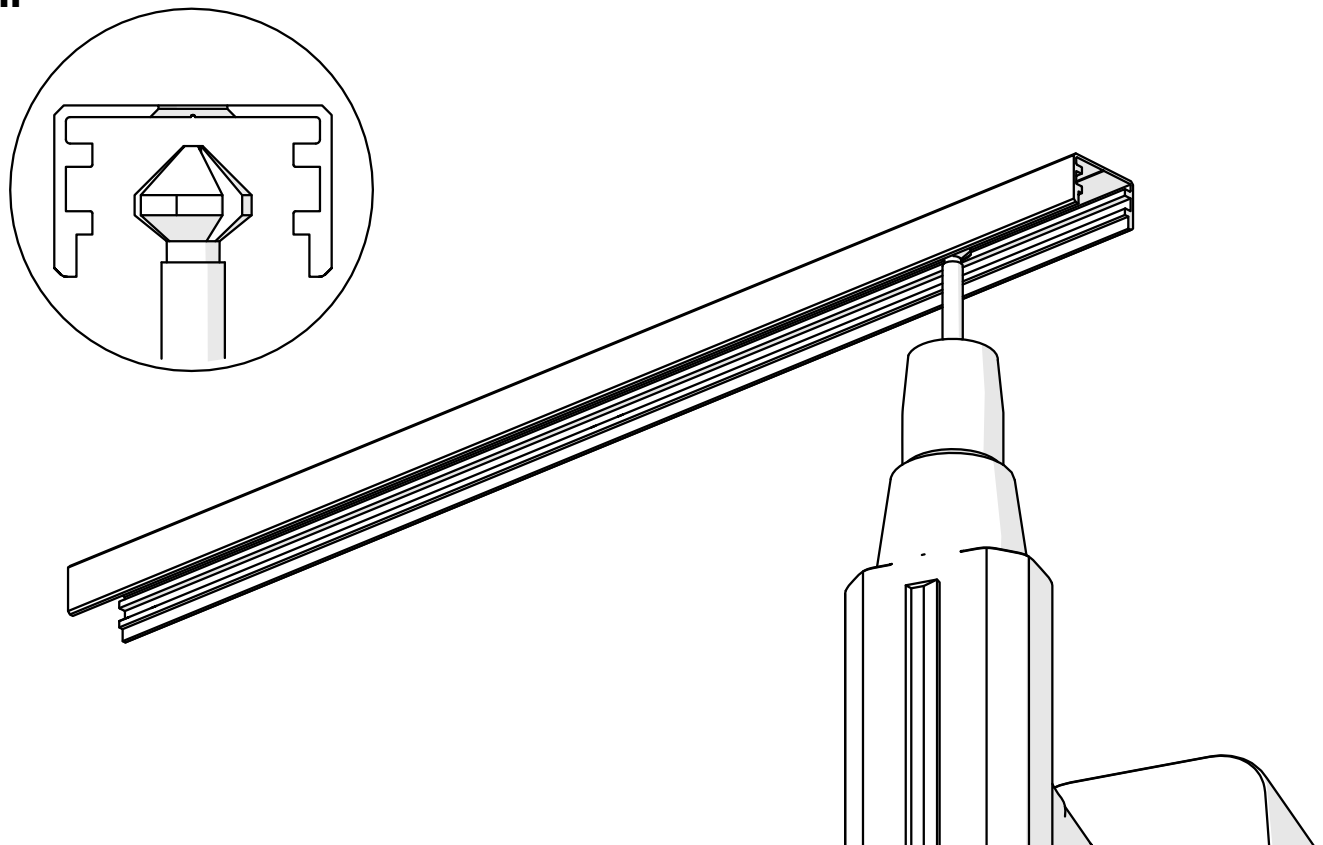
**VIIIb**



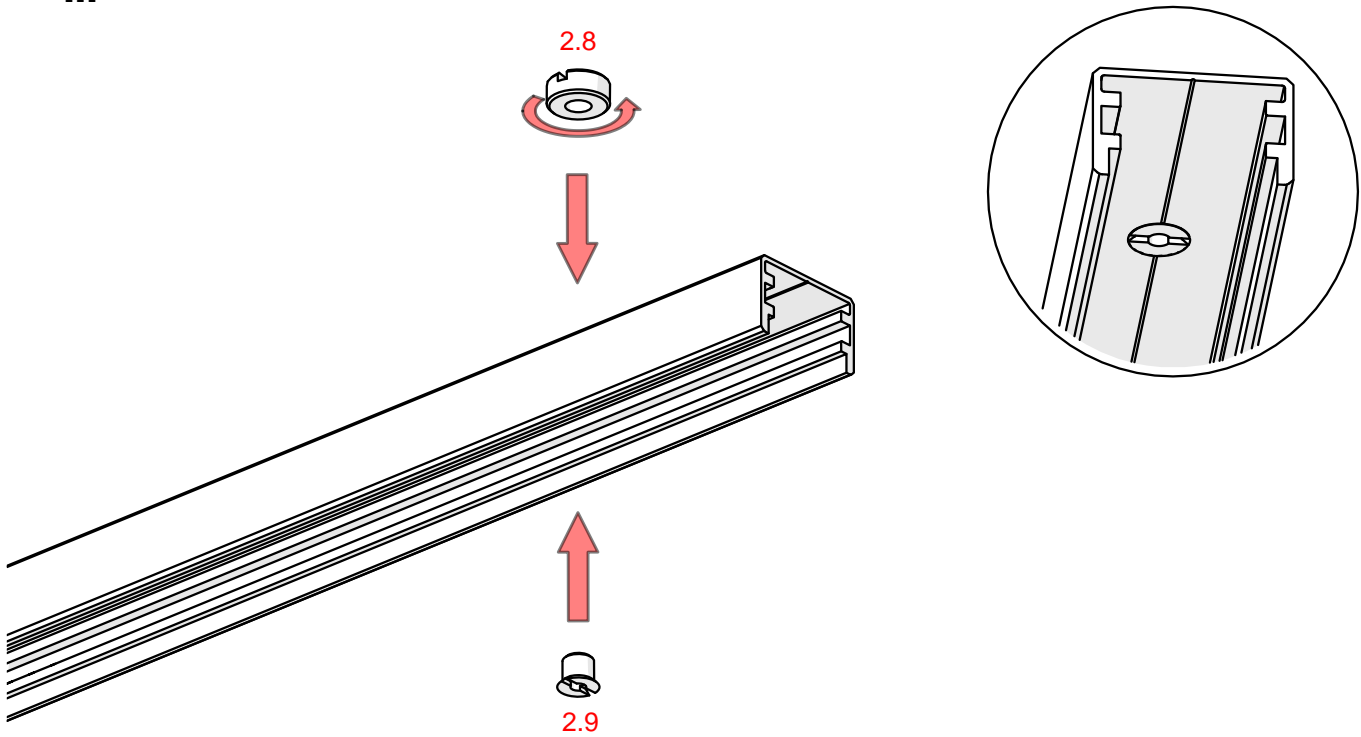
I



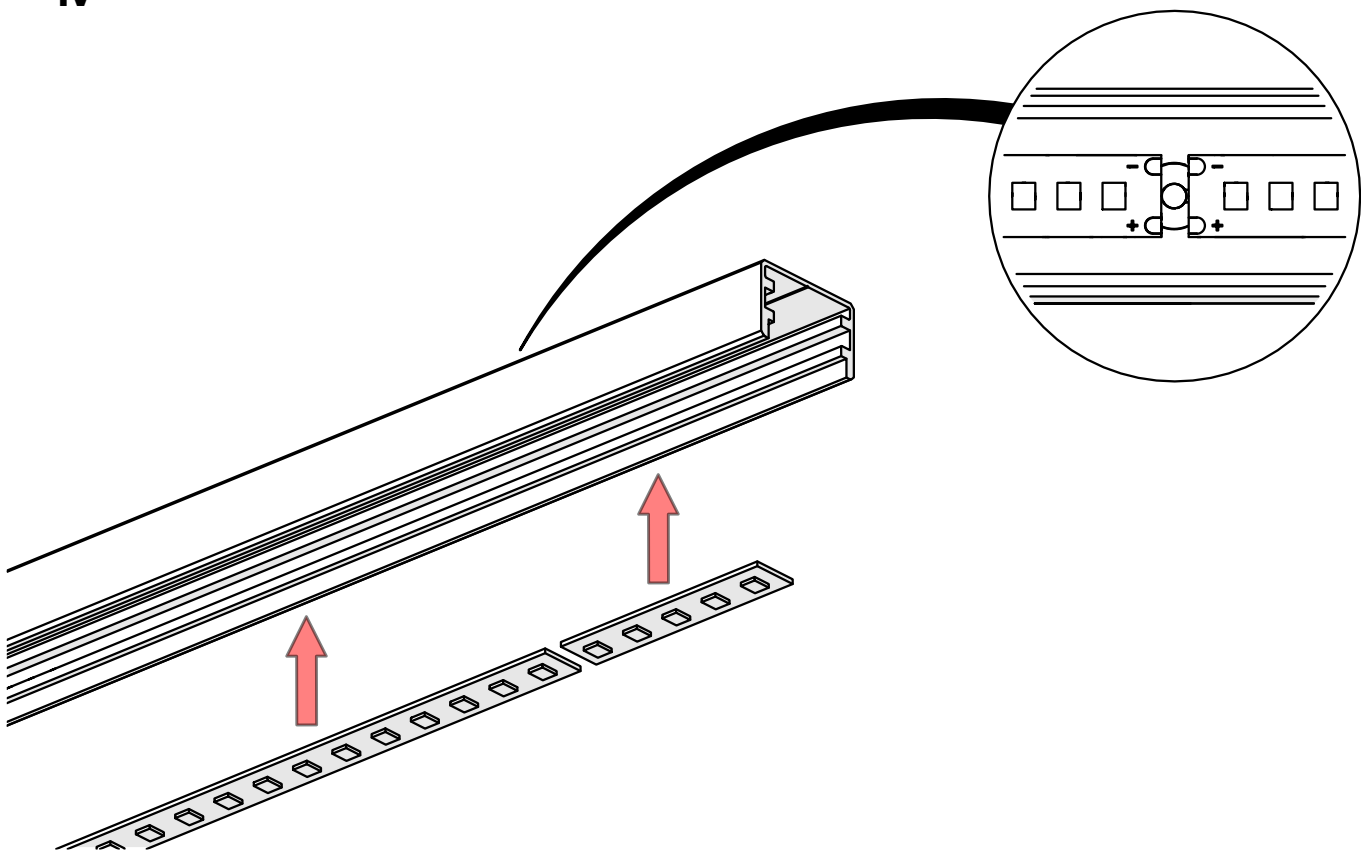
II



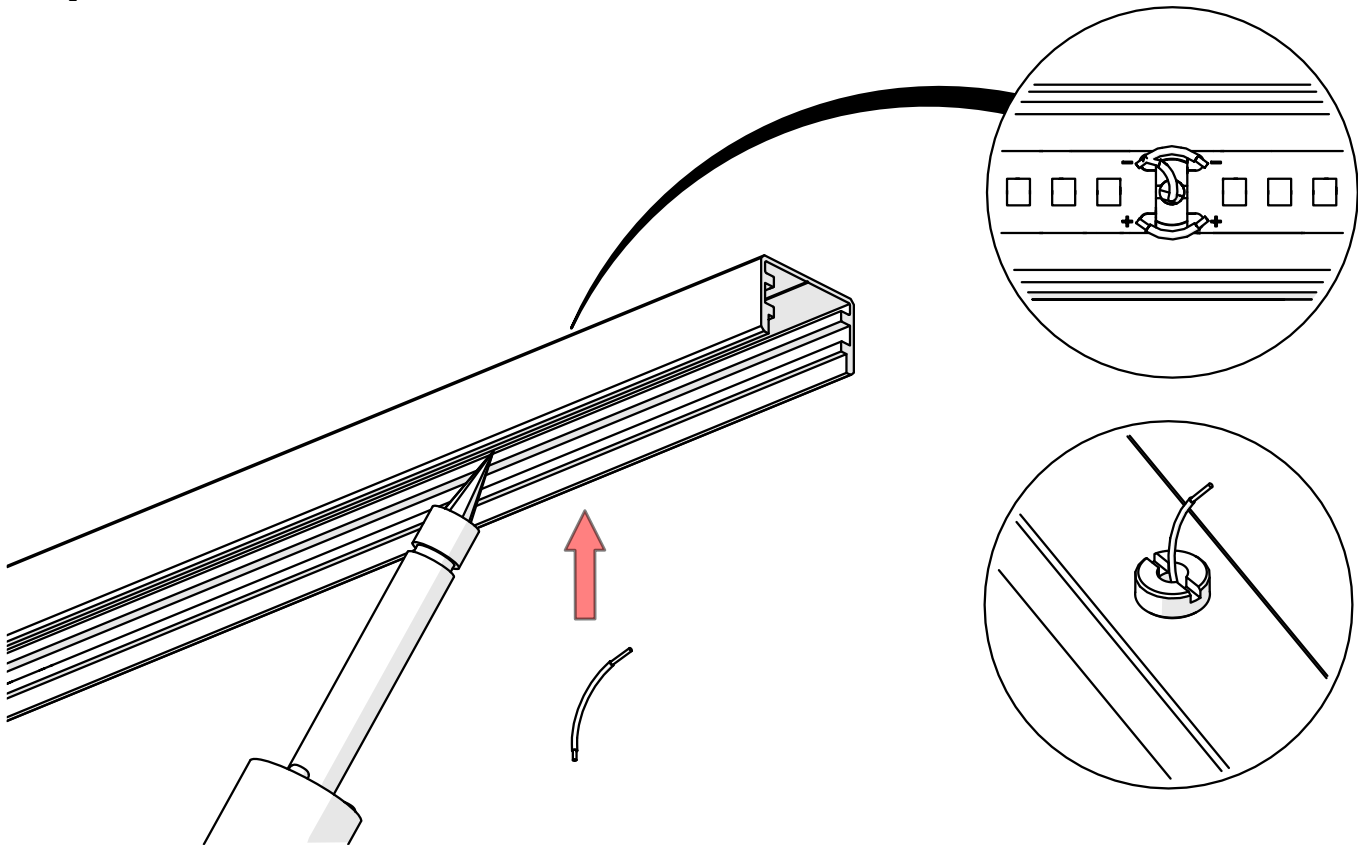
**III**



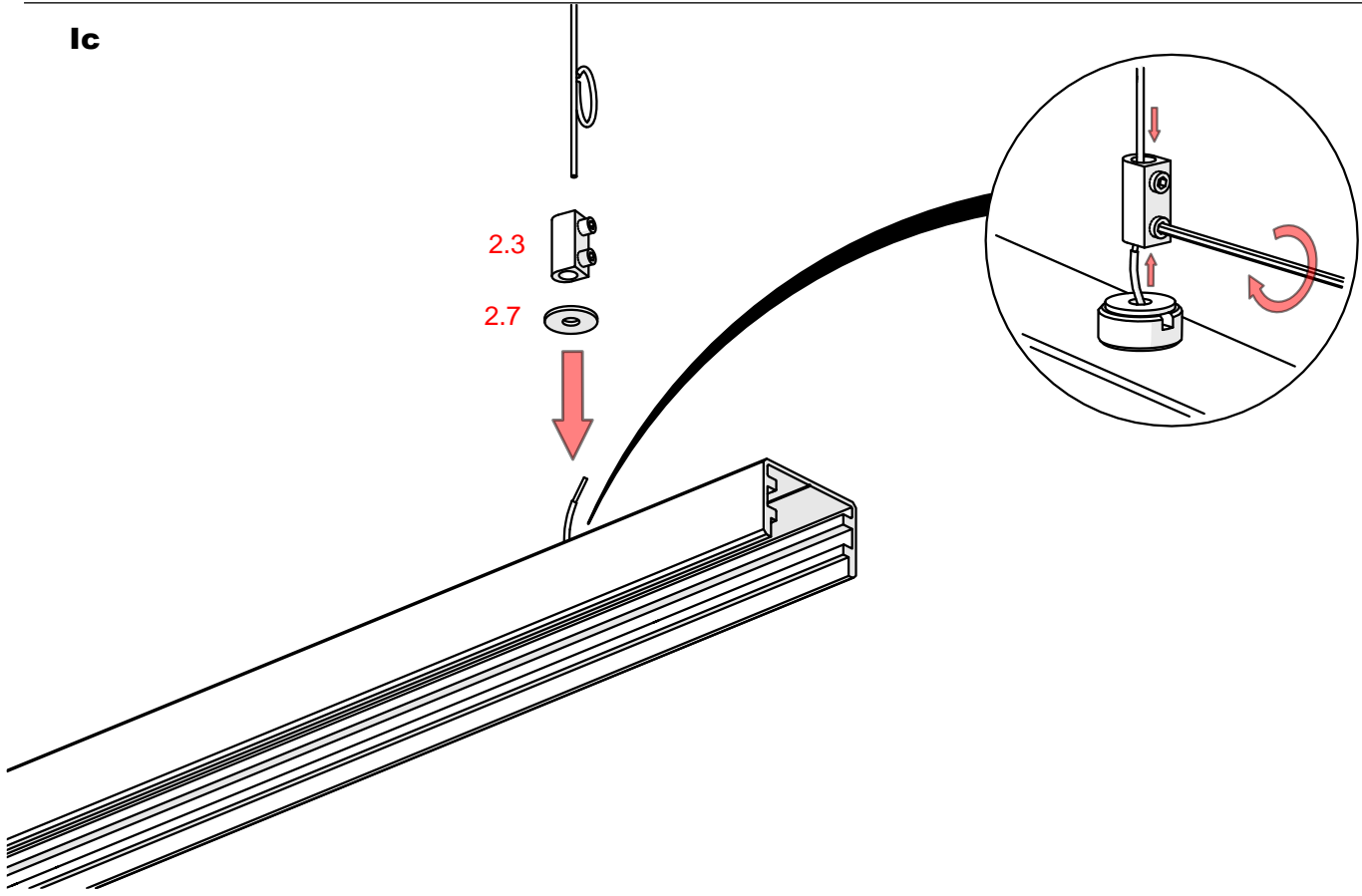
**IV**



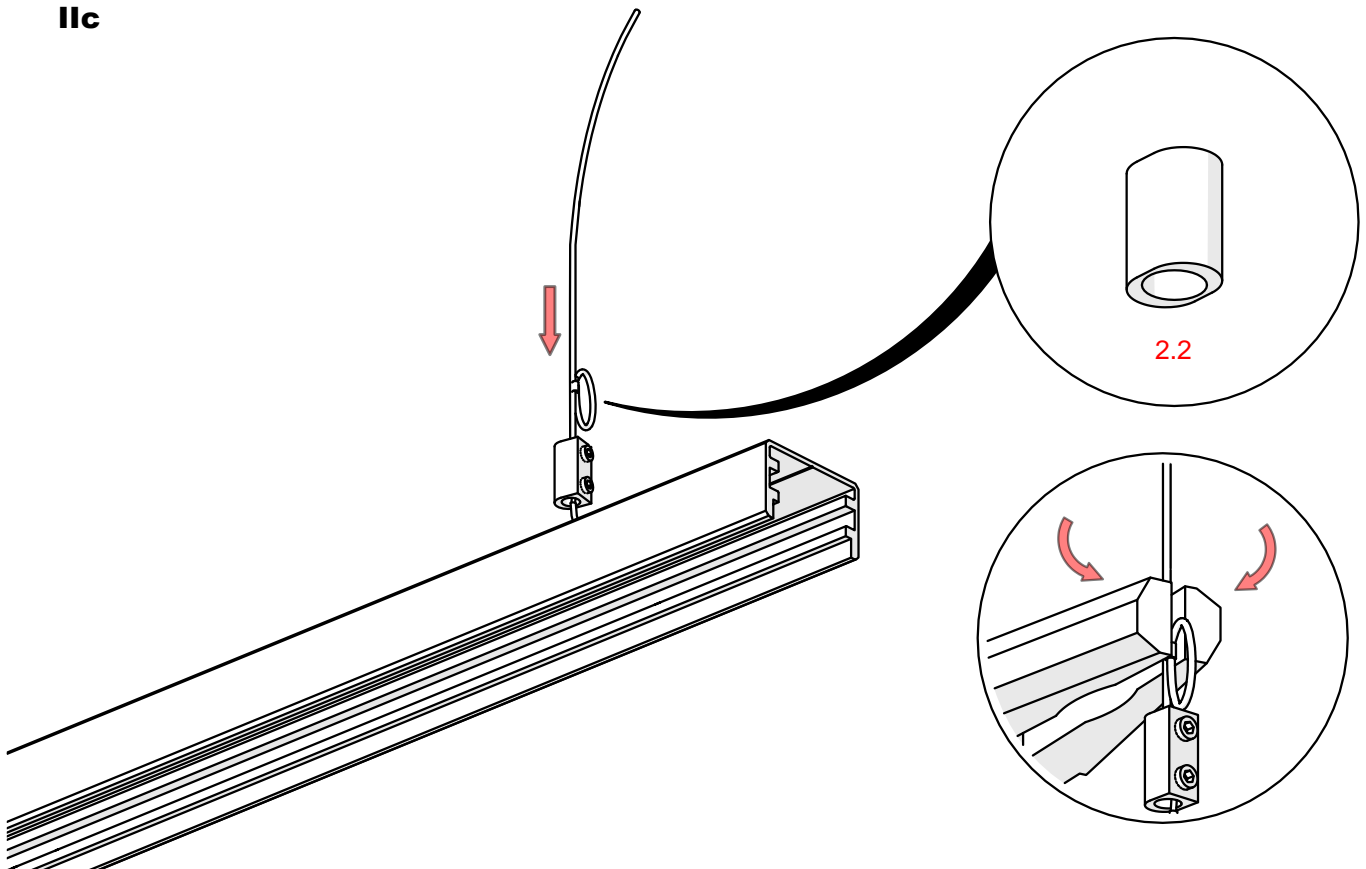
**V**



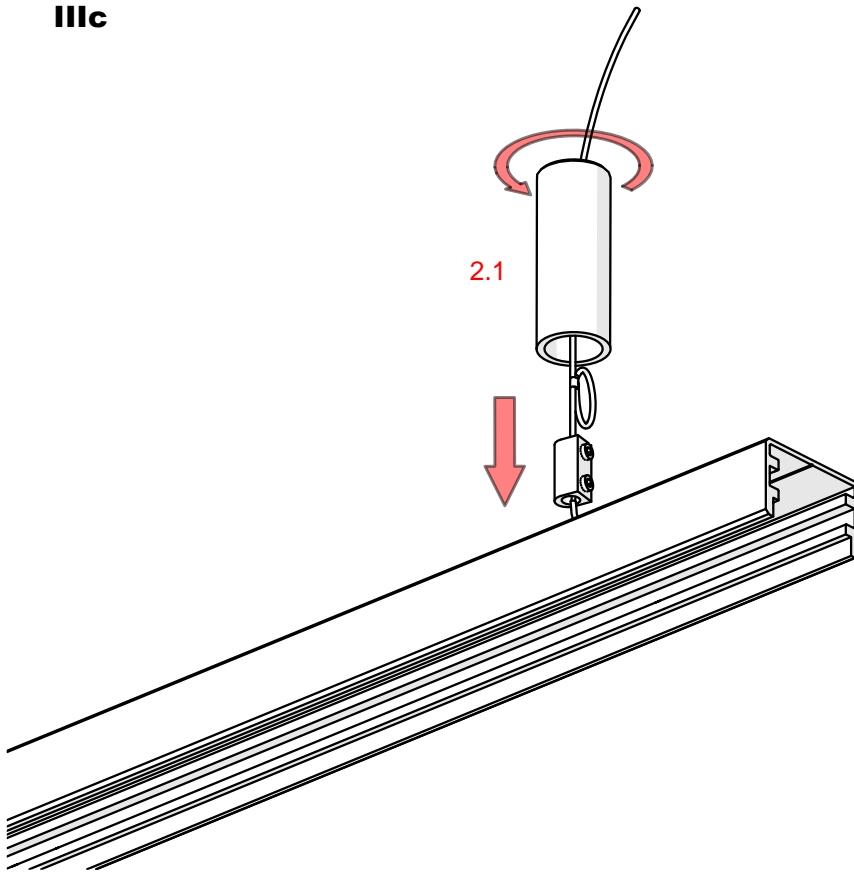
**Ic**



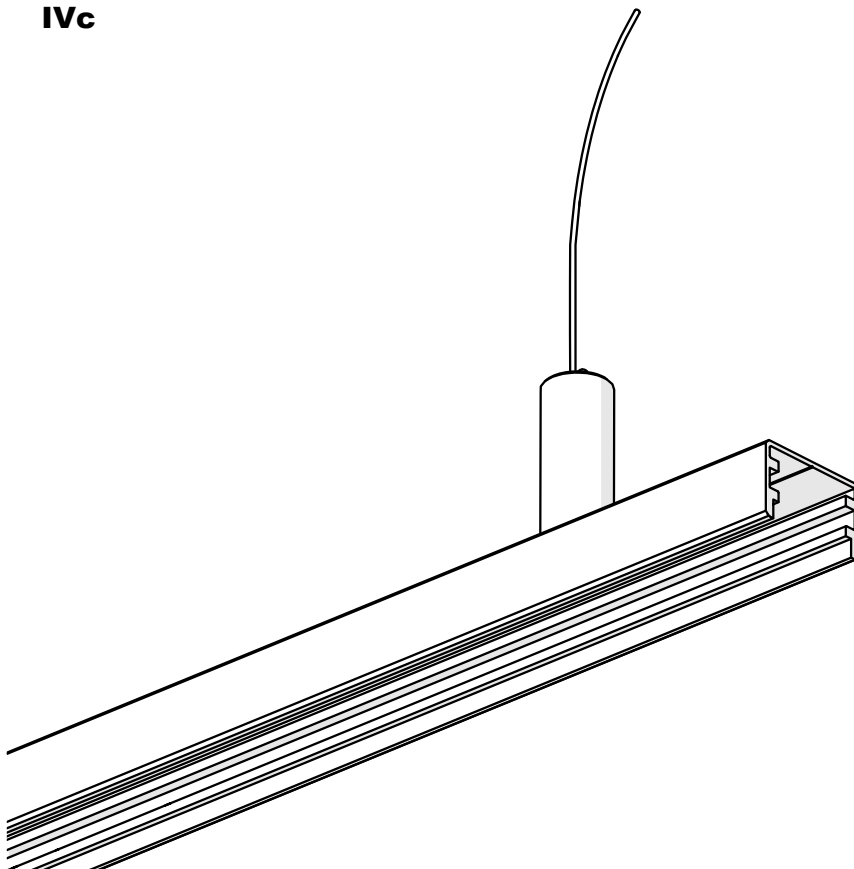
**Iic**



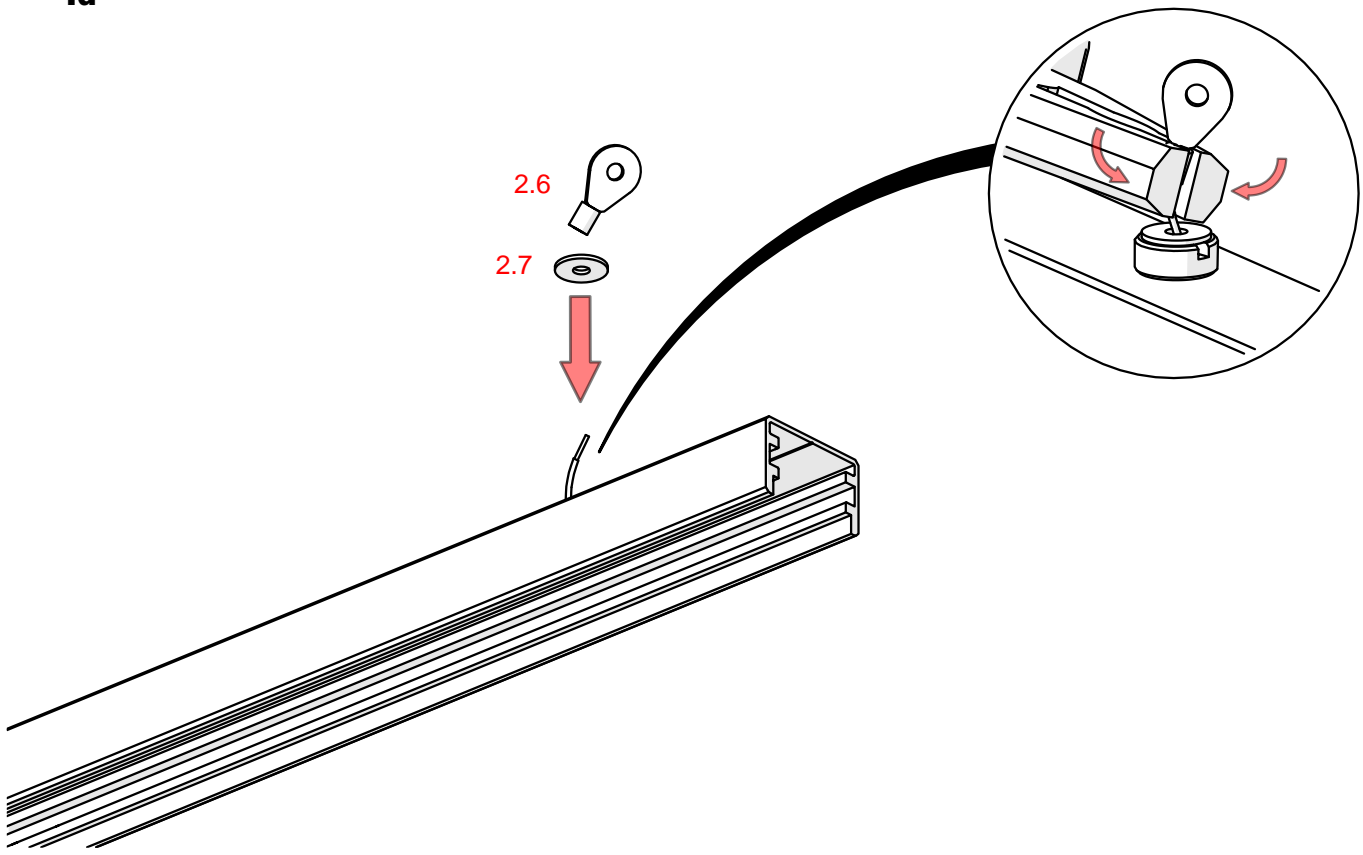
**IIIc**



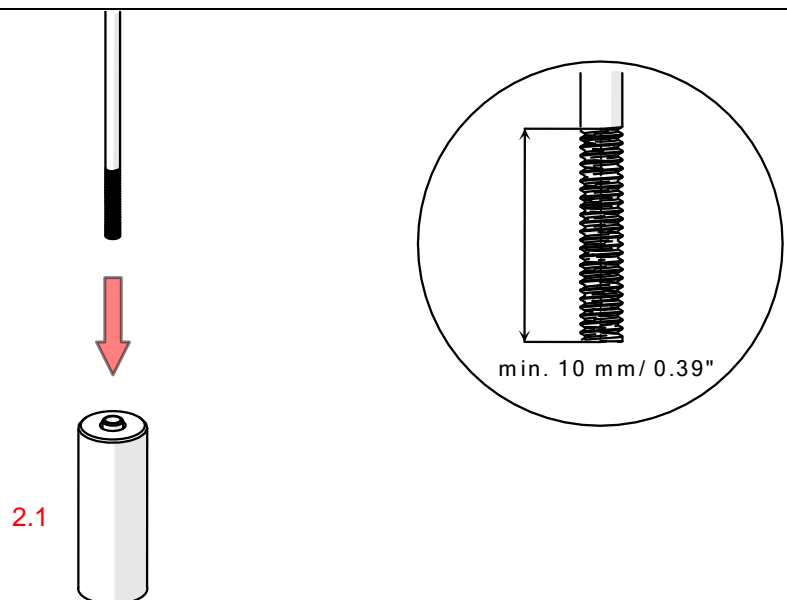
**IVc**



**I d**

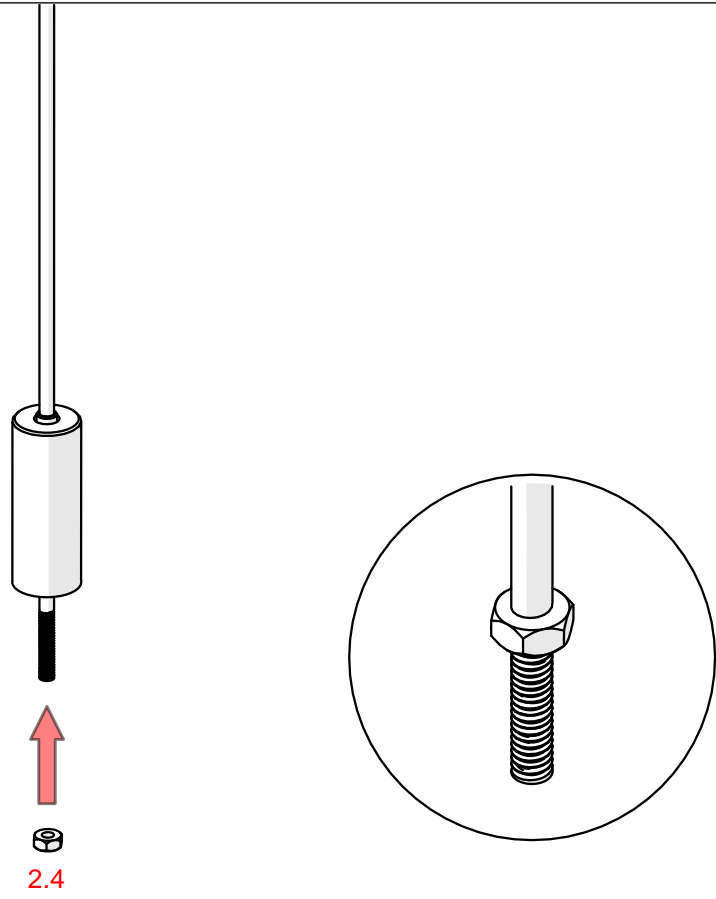


**II d**

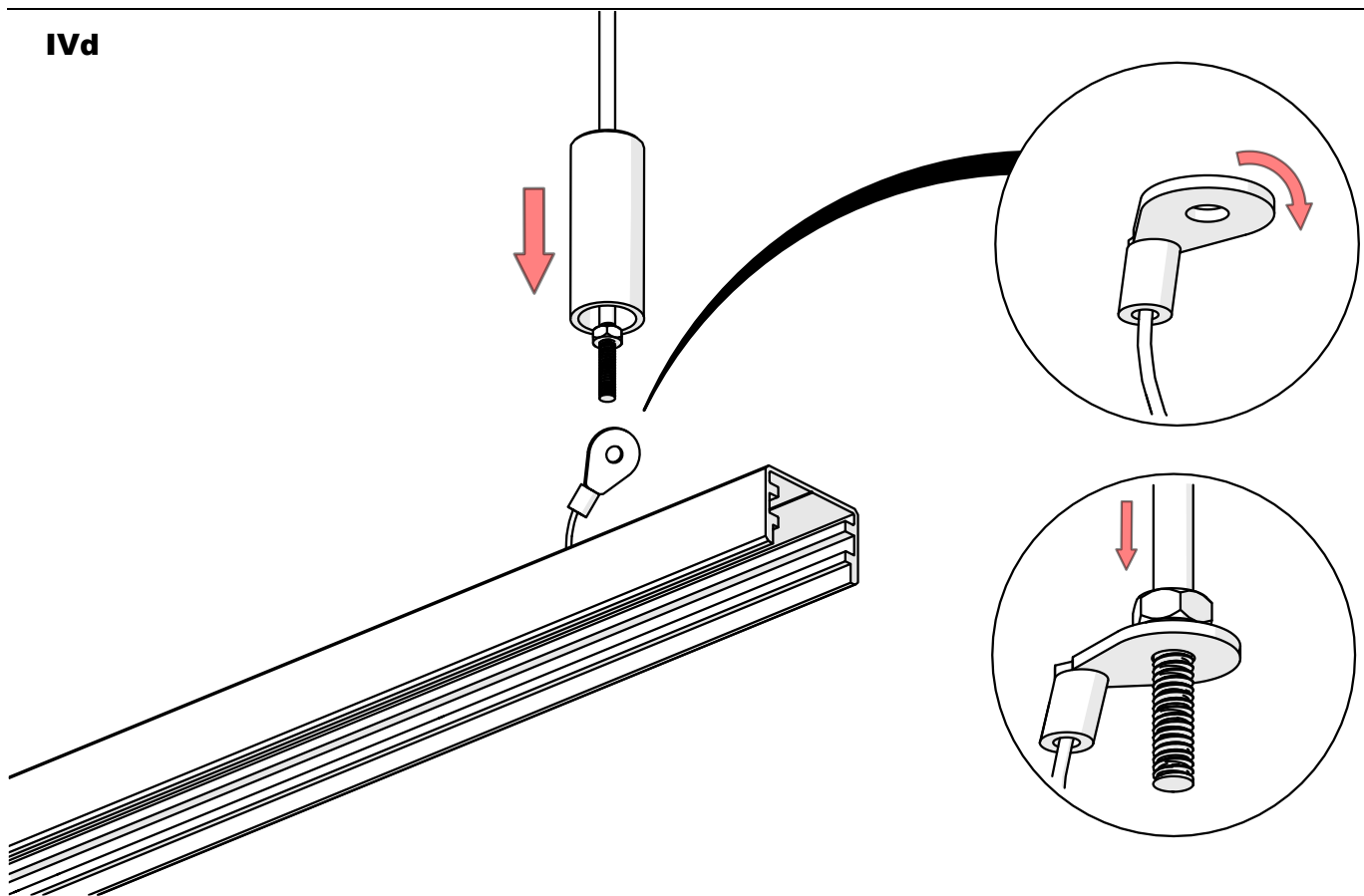




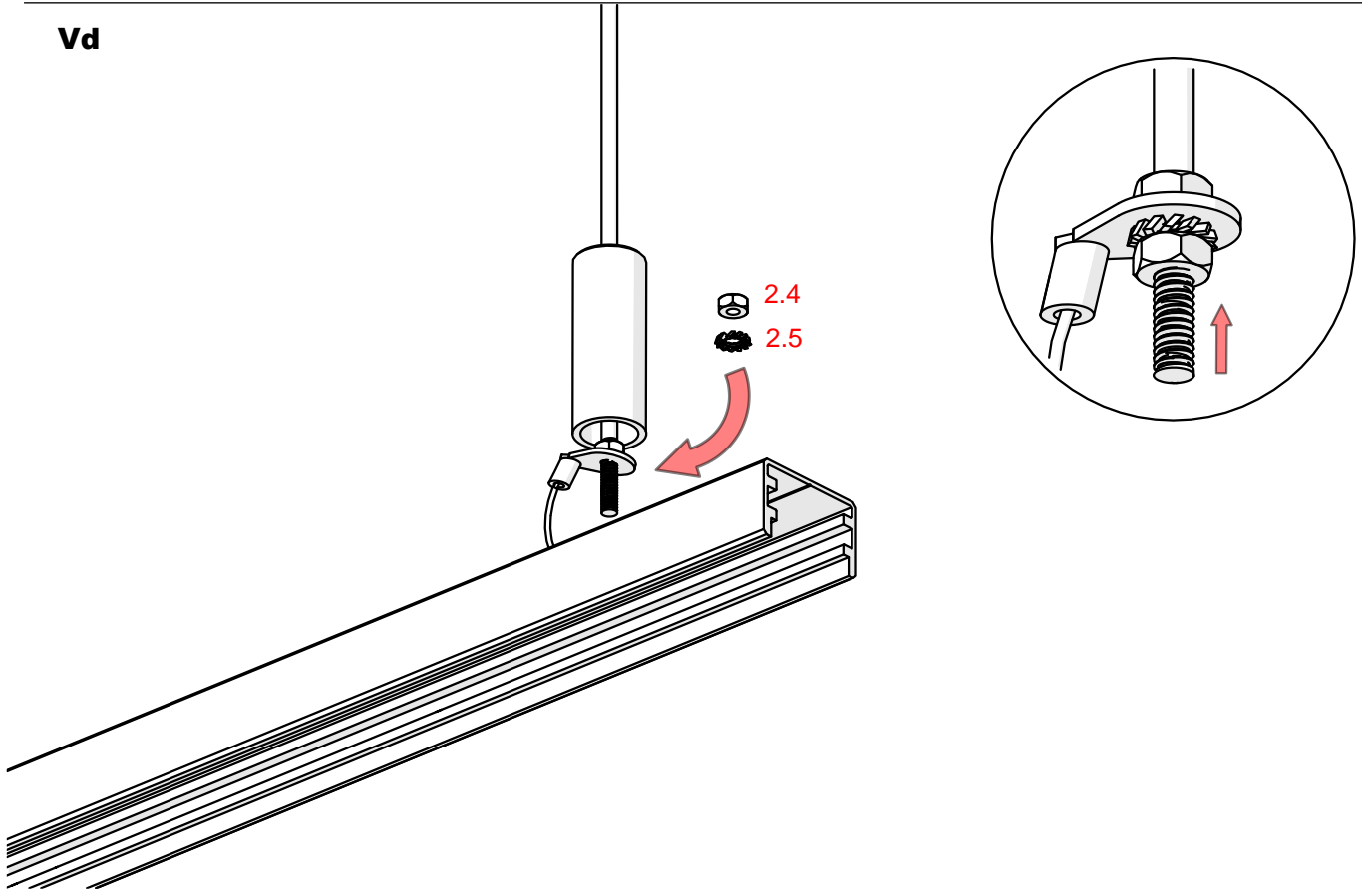
**III d**



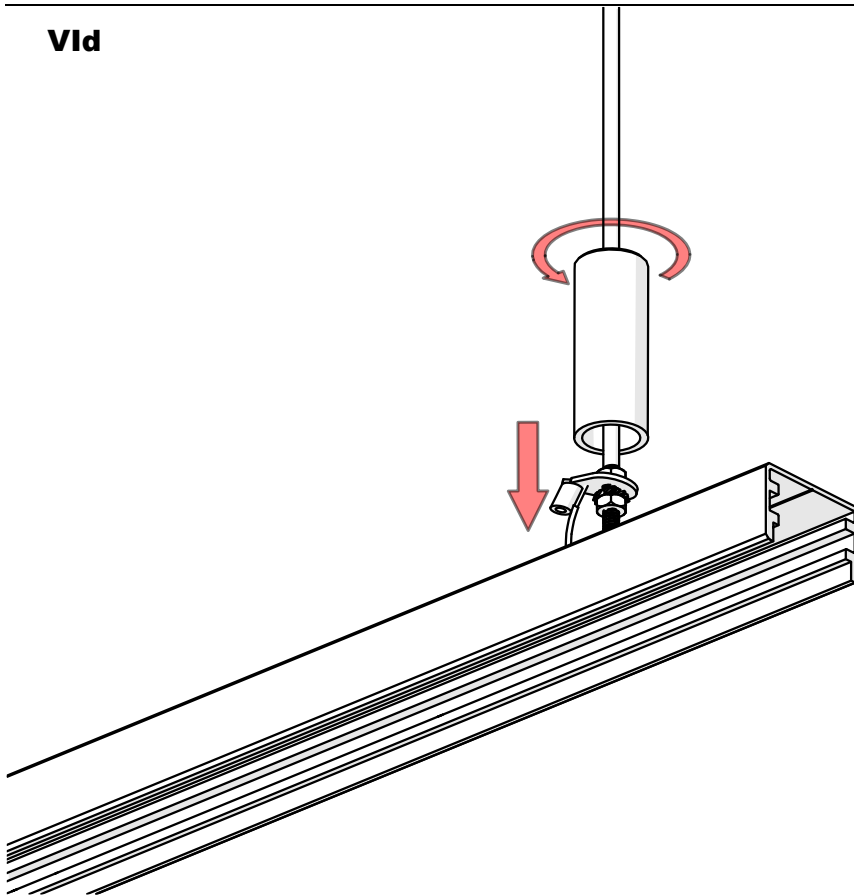
**IV d**



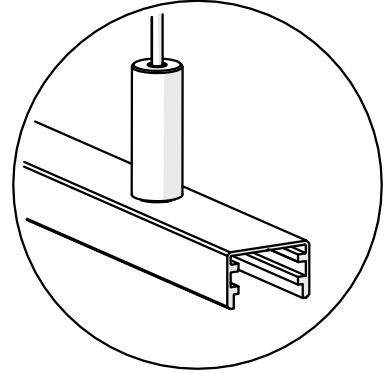
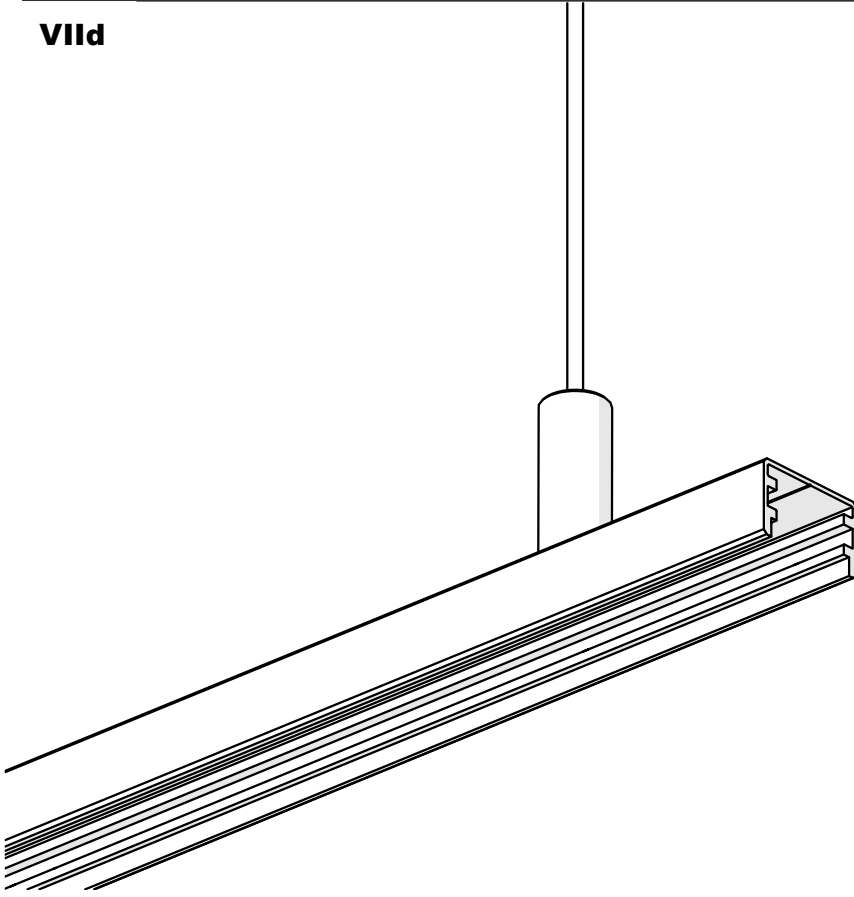
**Vd**



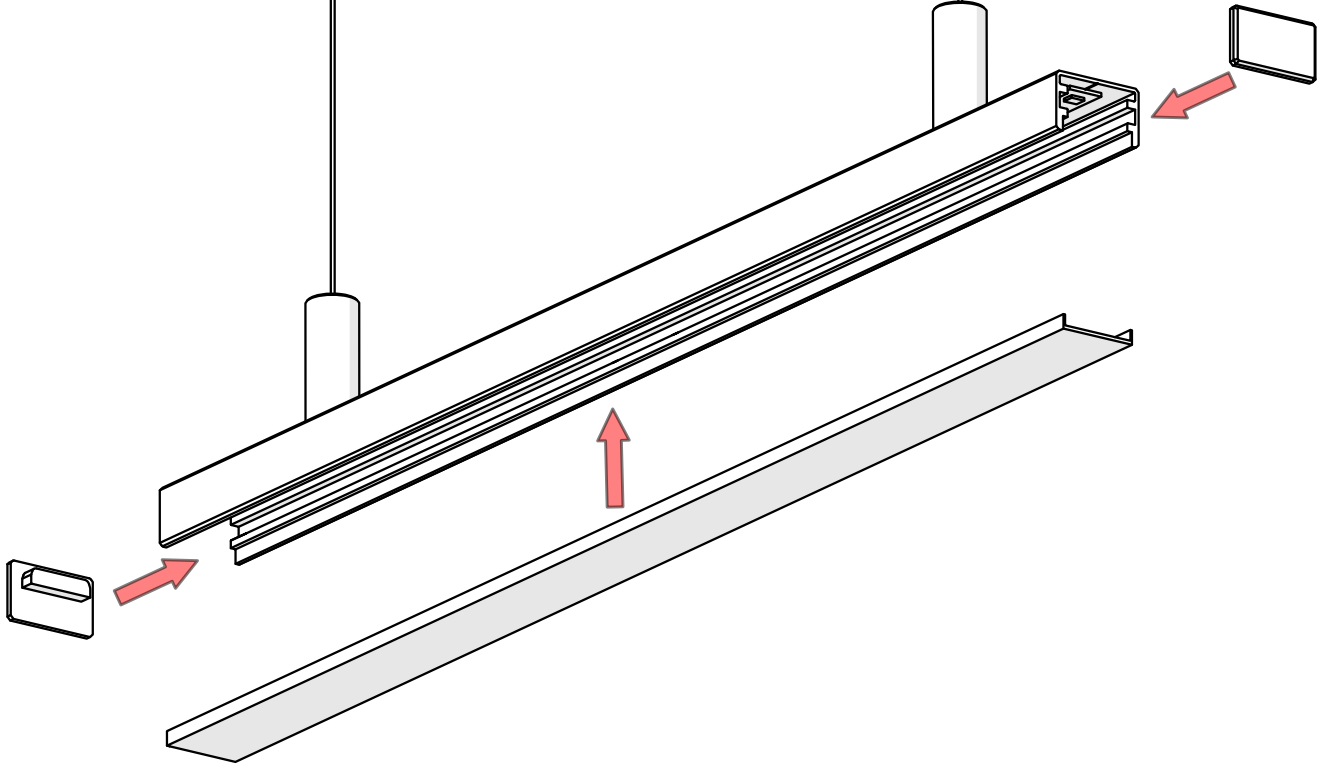
**VId**



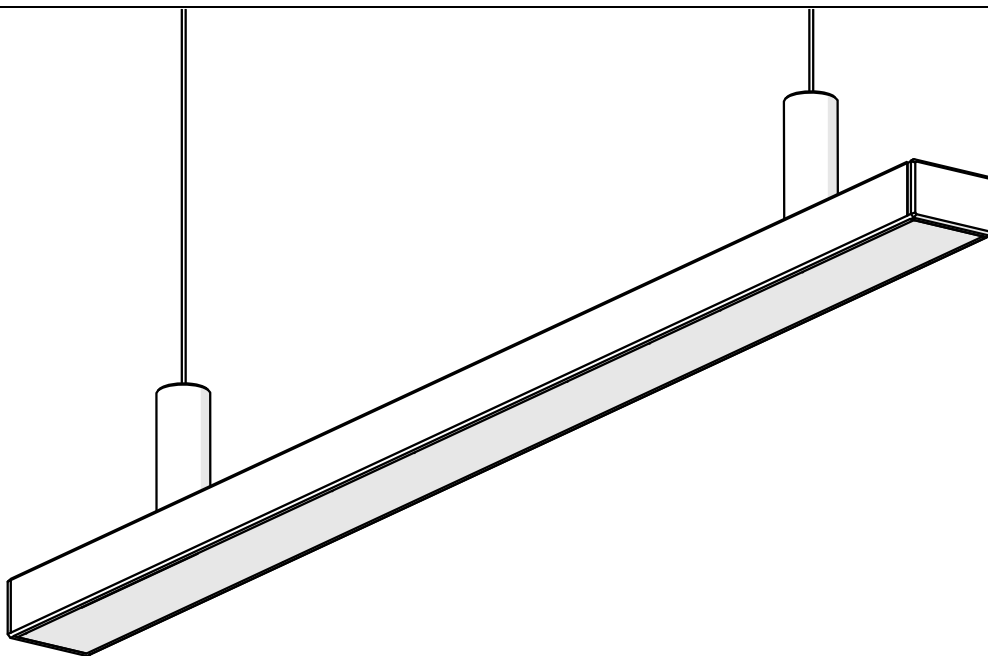
**VII d**



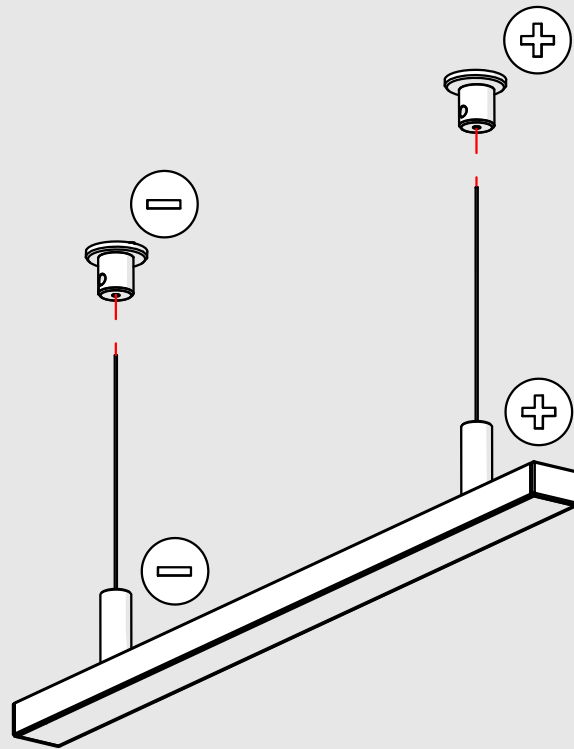
**VI**



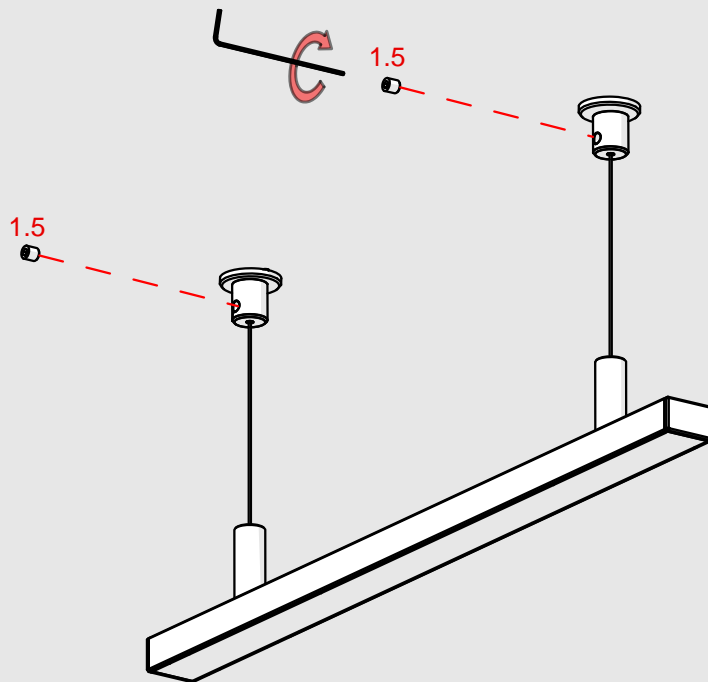
**VII**



**VIII**



**IX**



**X**

