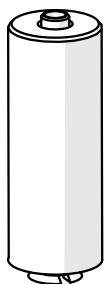
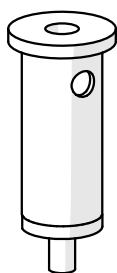
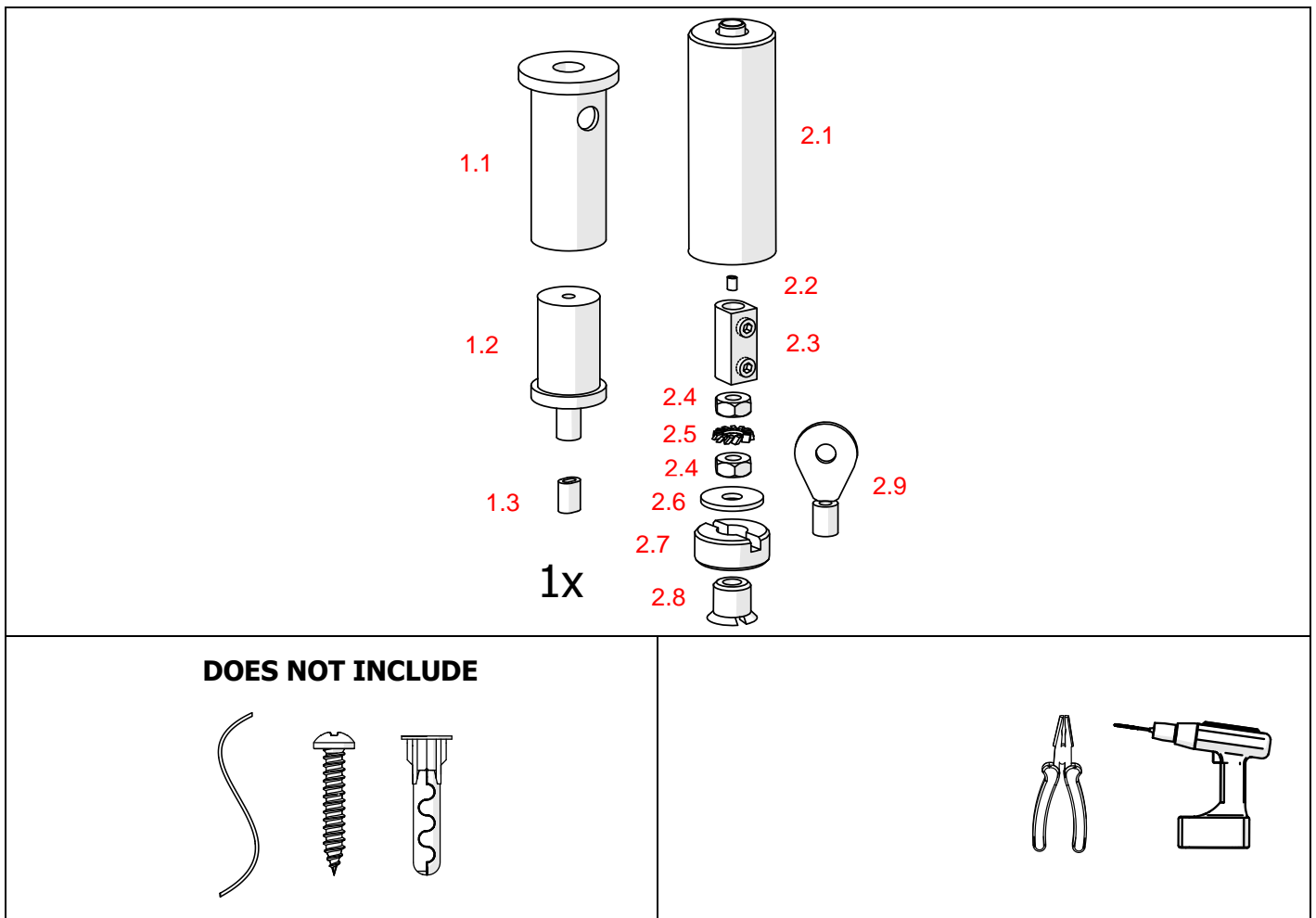


## Fastener set PUSZ-MR-2



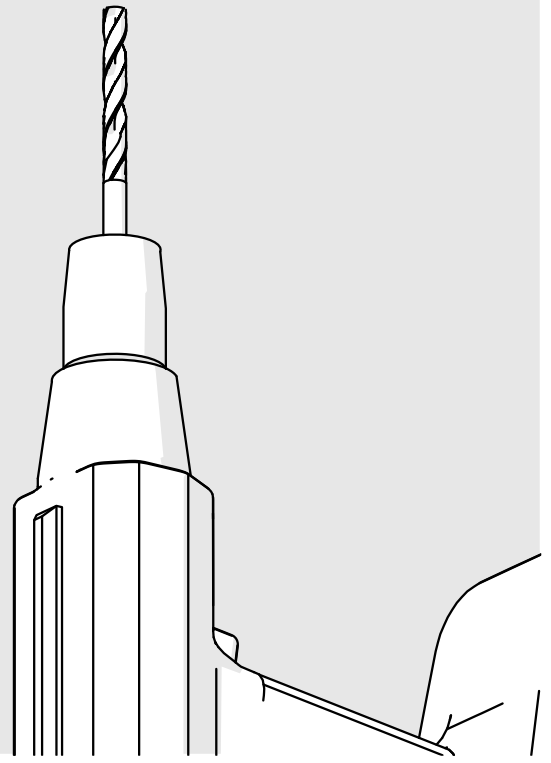
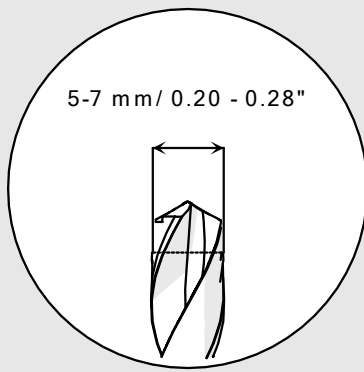


Fastener set PUSZ-MR-2 (ref. C28133)

- 1.1 Ceiling bracket
- 1.2 Steel cable blockade
- 1.3 Sleeve for the cable clamp
- 2.1 PUSZ head
- 2.2 Sleeve for the cable clamp
- 2.3 Conductive terminal block with screws
- 2.4 Nut M3
- 2.5 Locking washer M3
- 2.6 Pad 3,2
- 2.7 PUSZ head connector
- 2.8 MR hook
- 2.9 Power connector dia. 3

**IMPORTANT:** Not all possible mounting procedures are presented here. More mounting procedures and related accessories can be found at [www.KlusDesign.eu](http://www.KlusDesign.eu). Drawings in these instructions are simplified and only approximate the actual shapes.

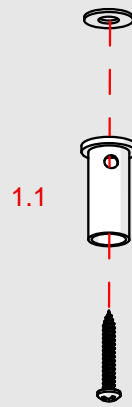
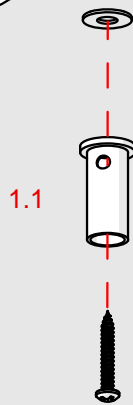
I



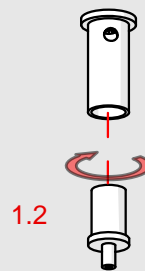
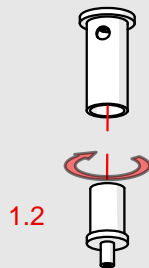
II



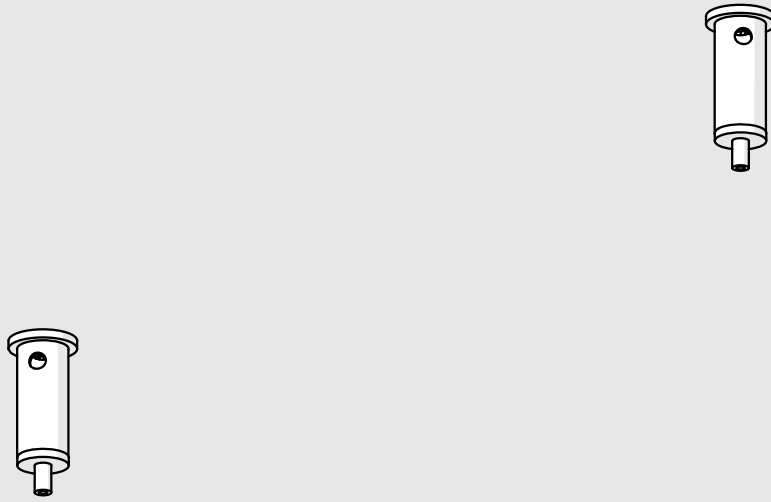
**III**



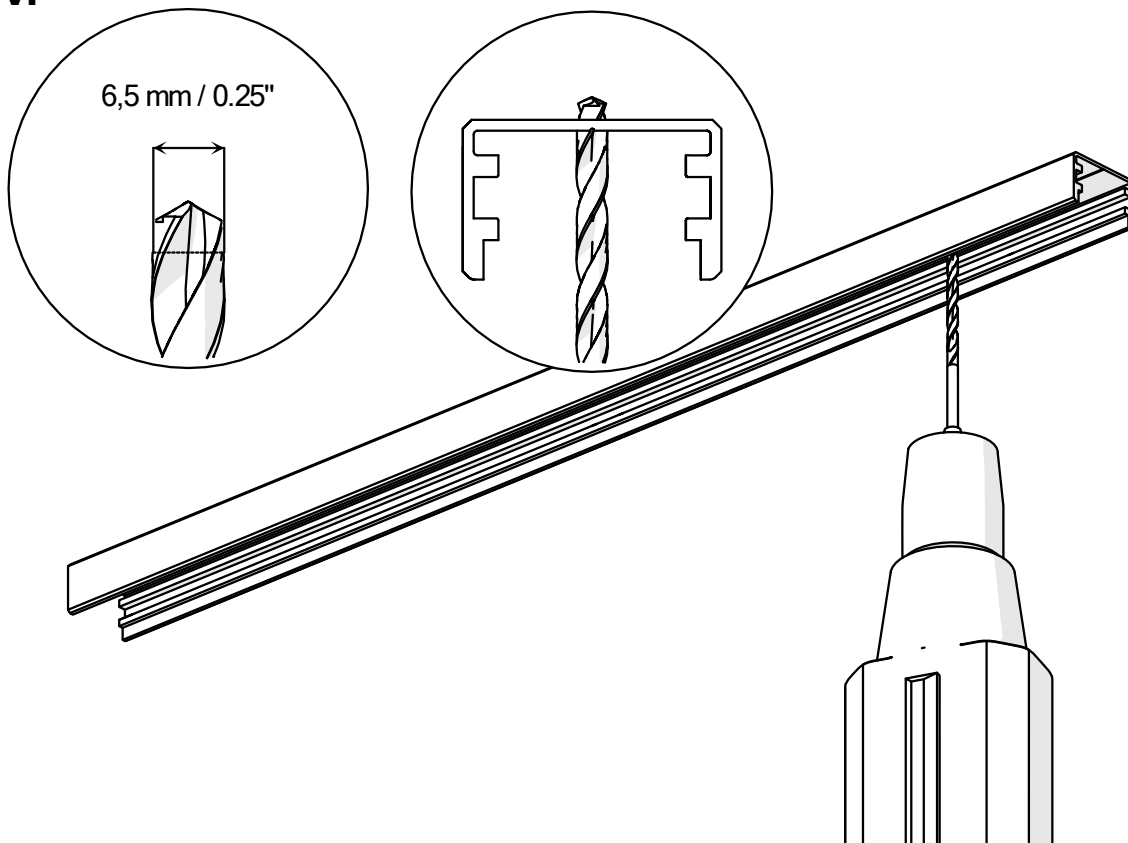
**IV**



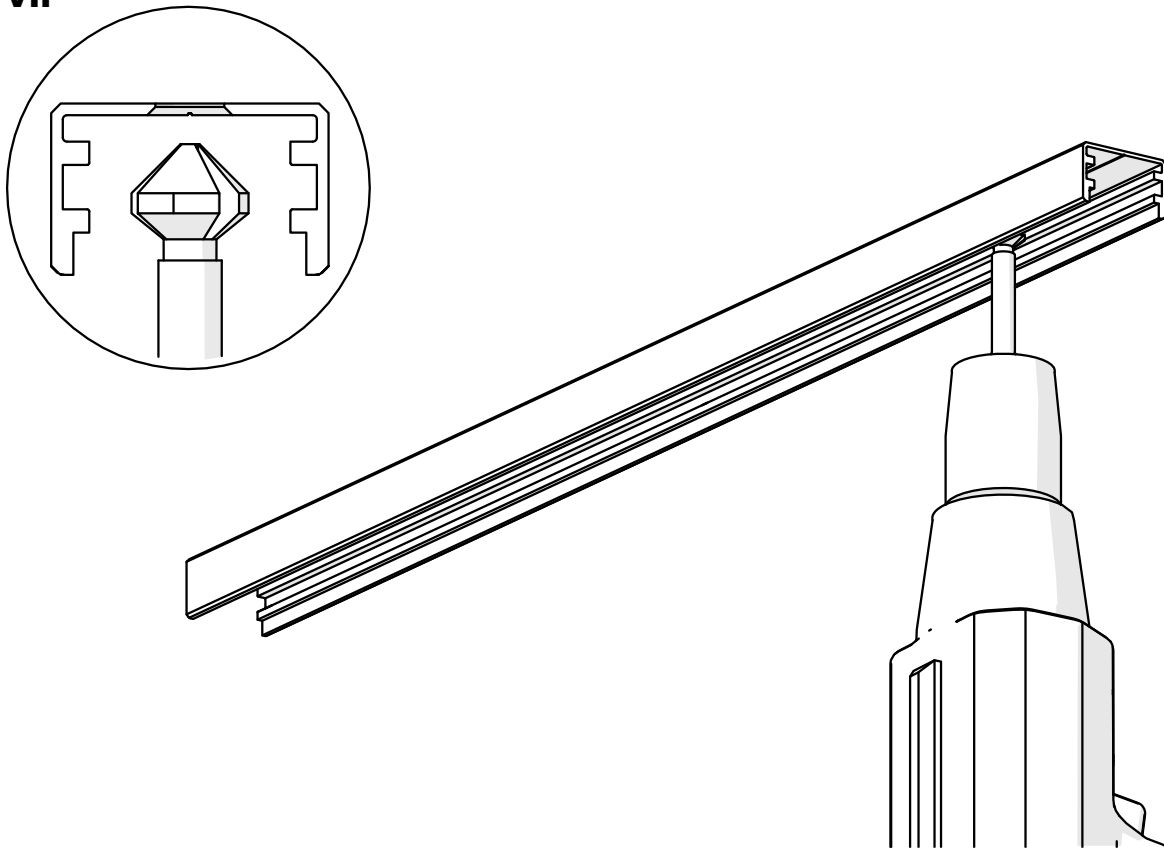
**V**



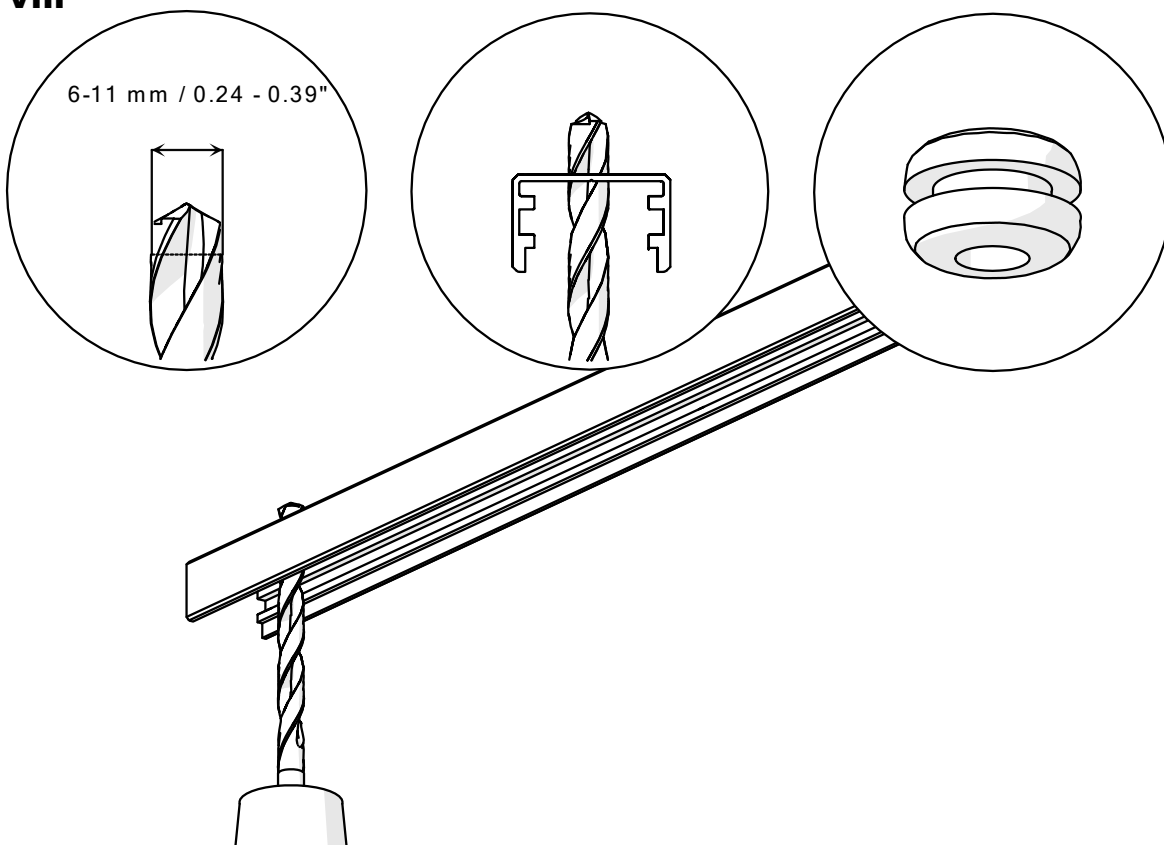
**VI**



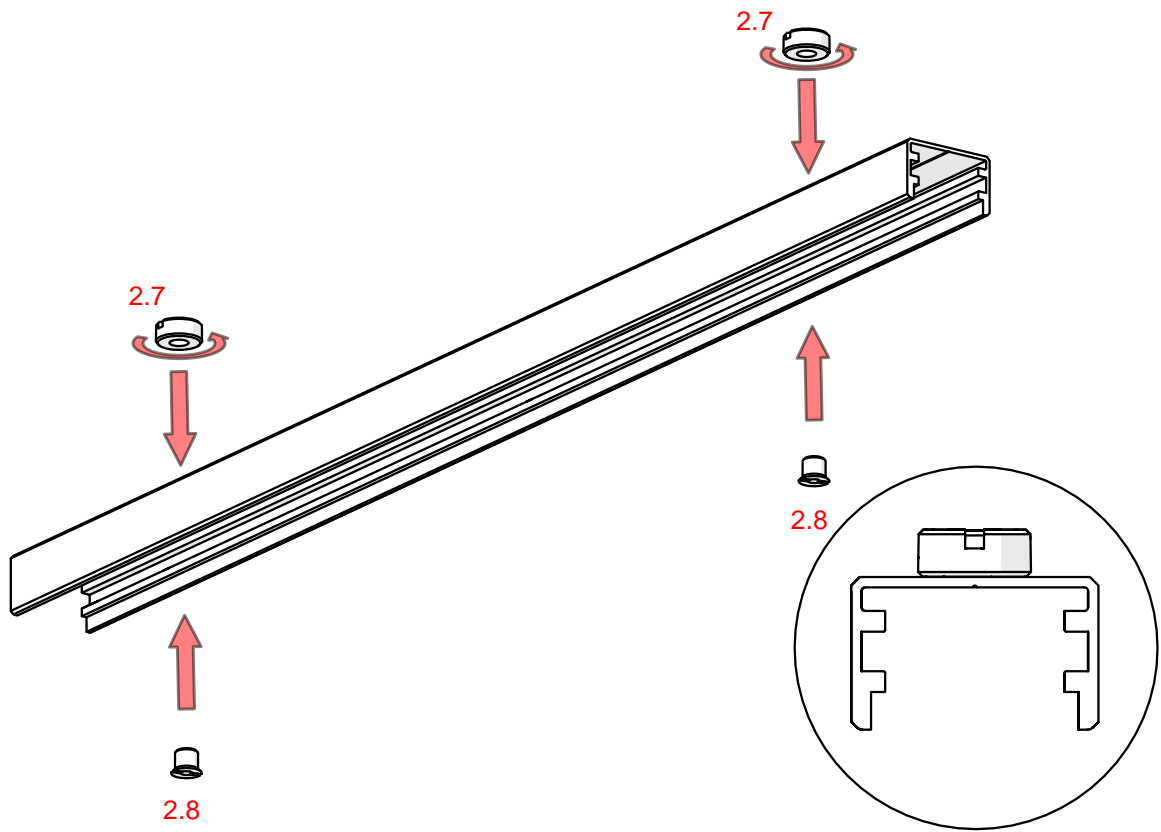
**VII**



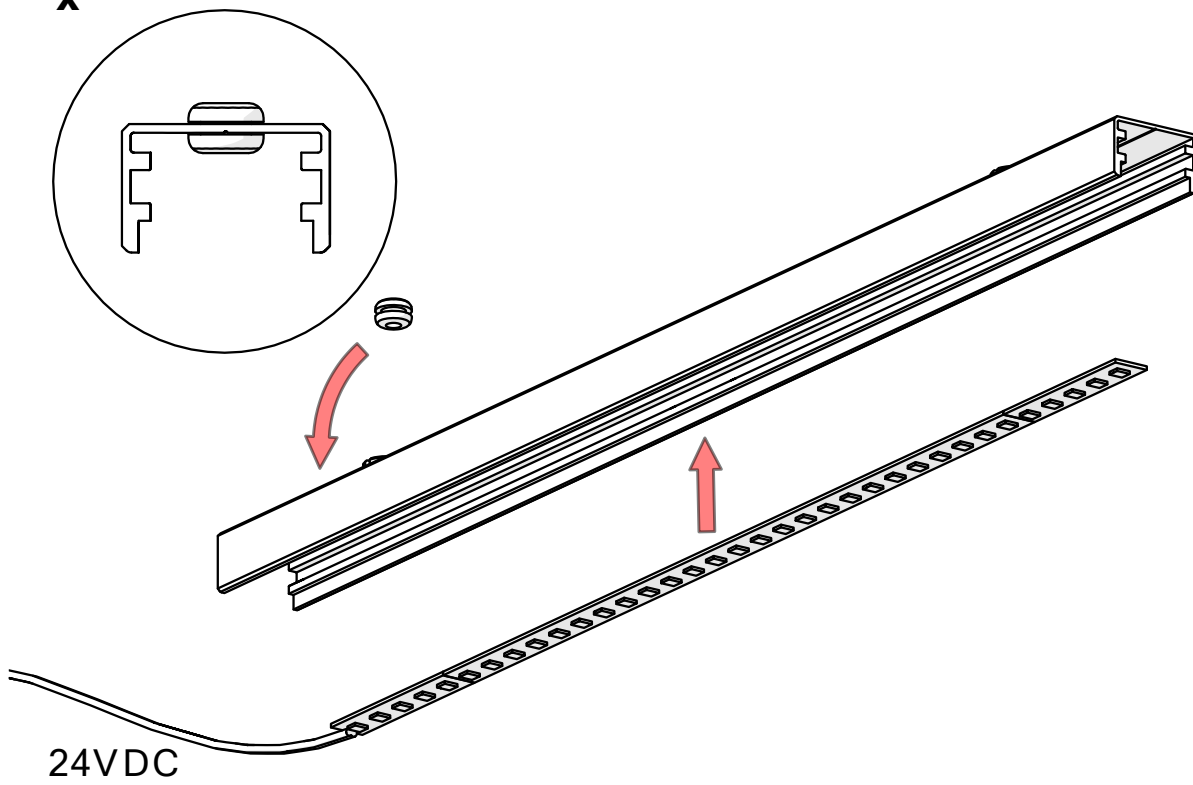
**VIII**



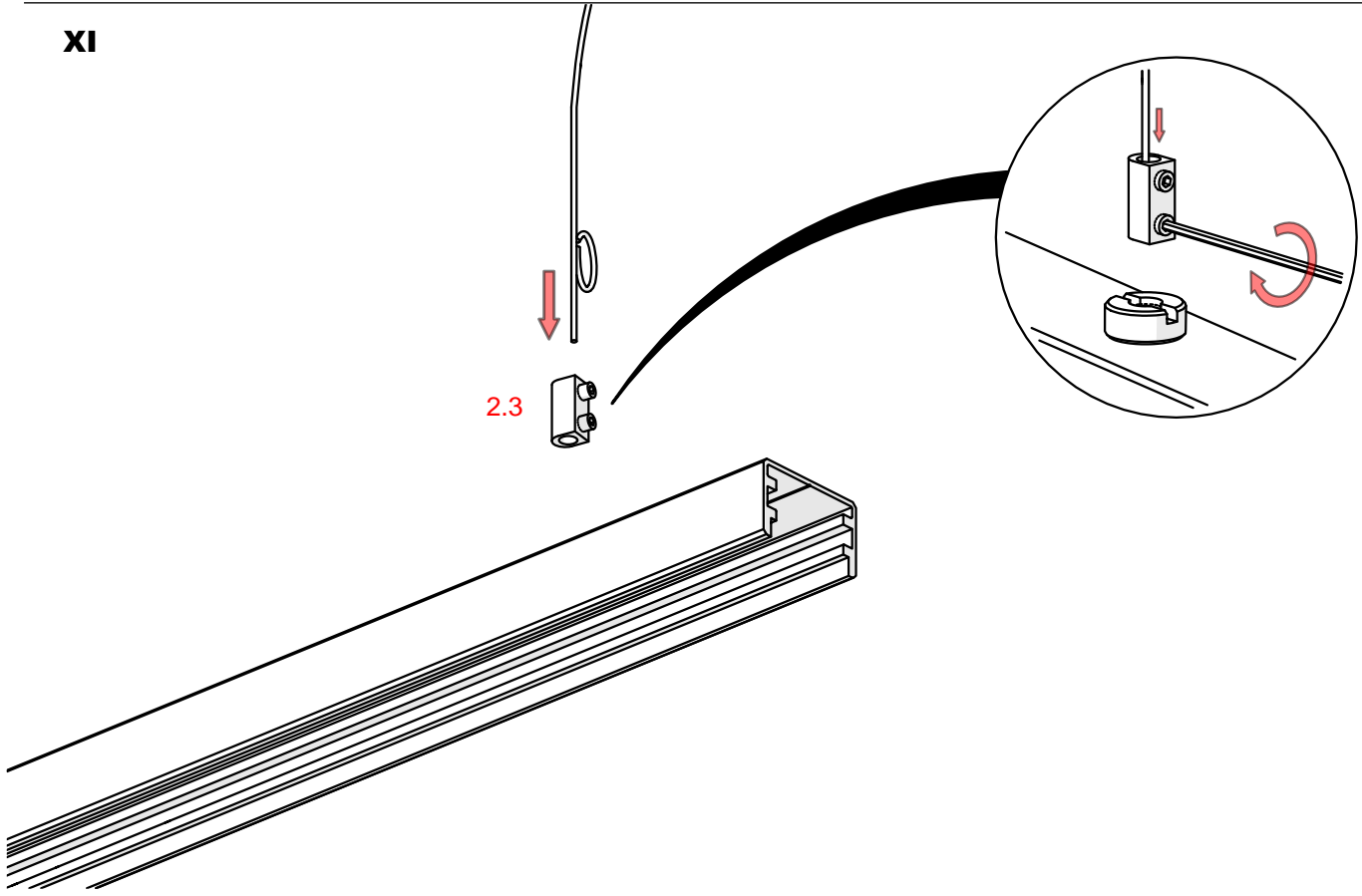
**IX**



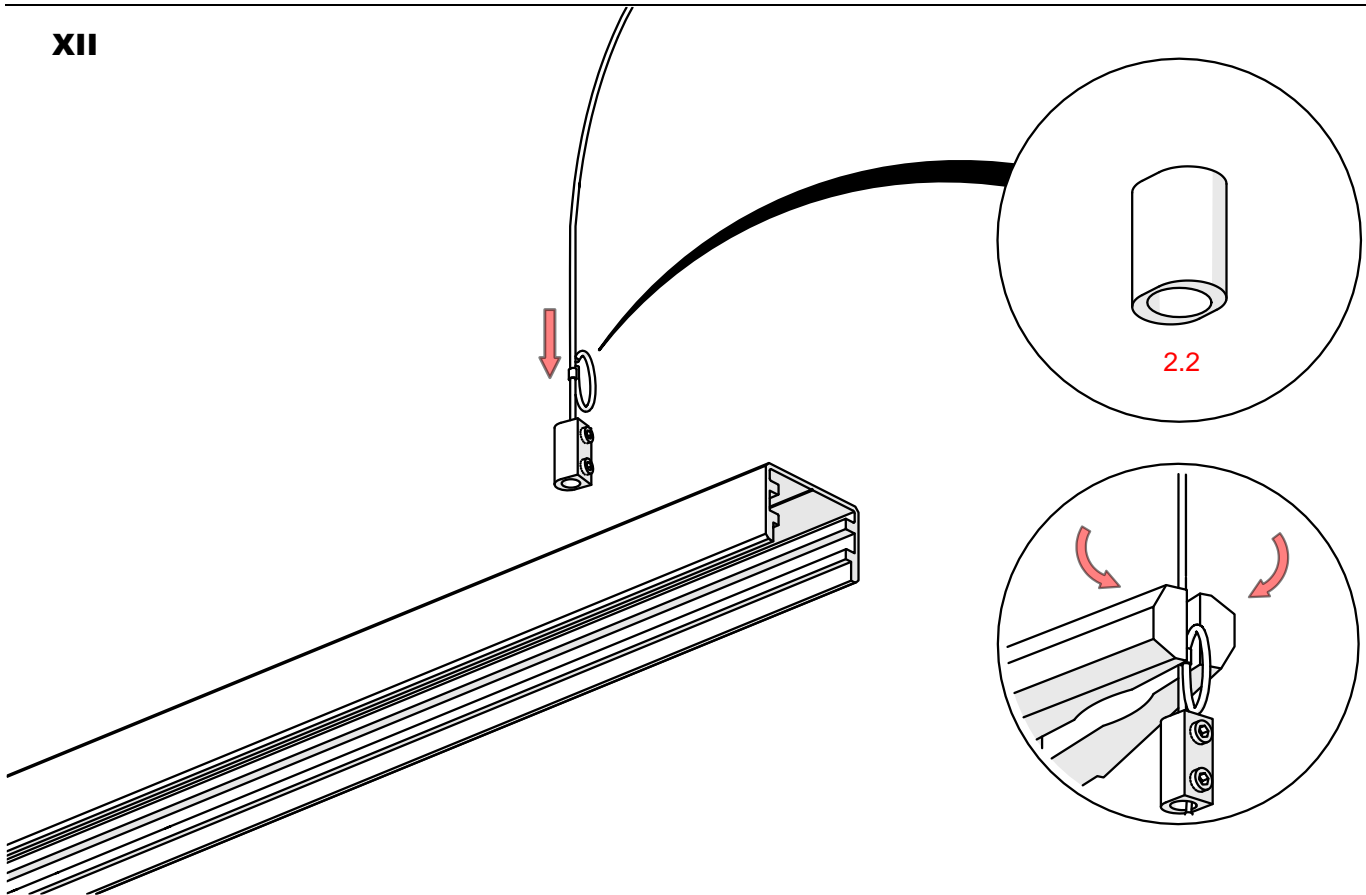
**X**



**XI**

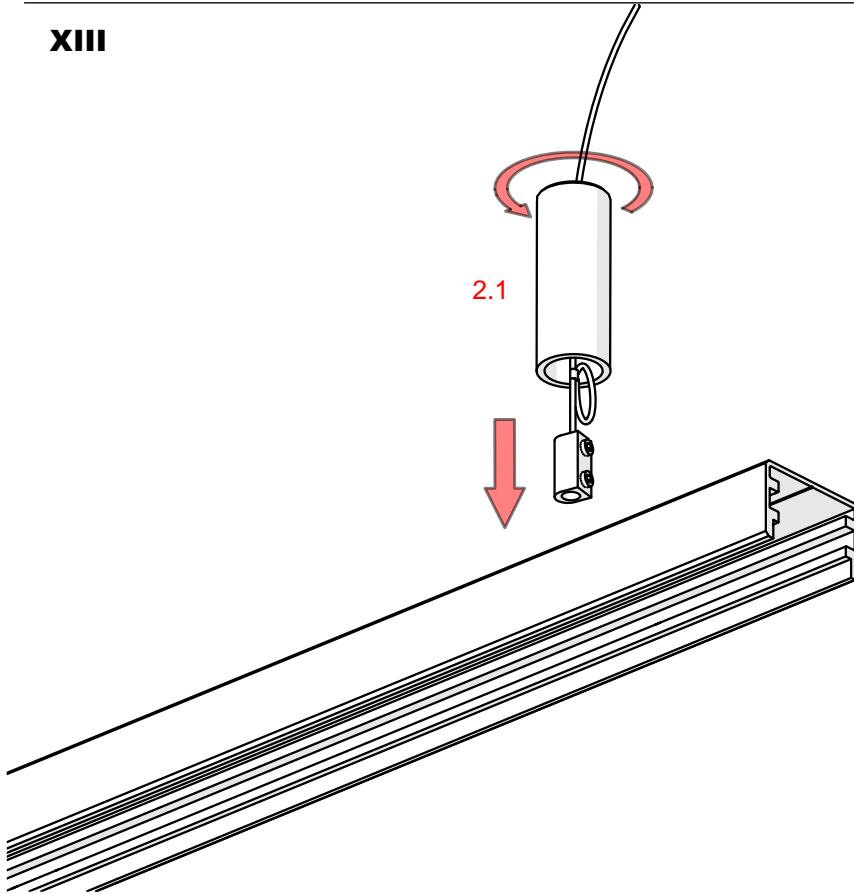


**XII**

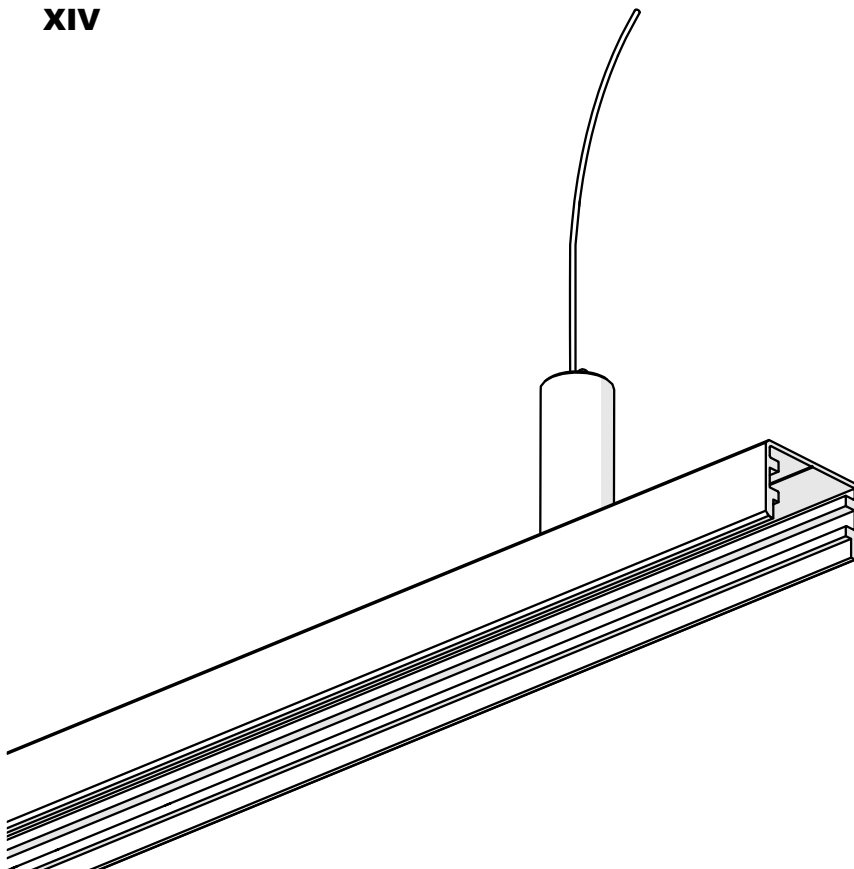




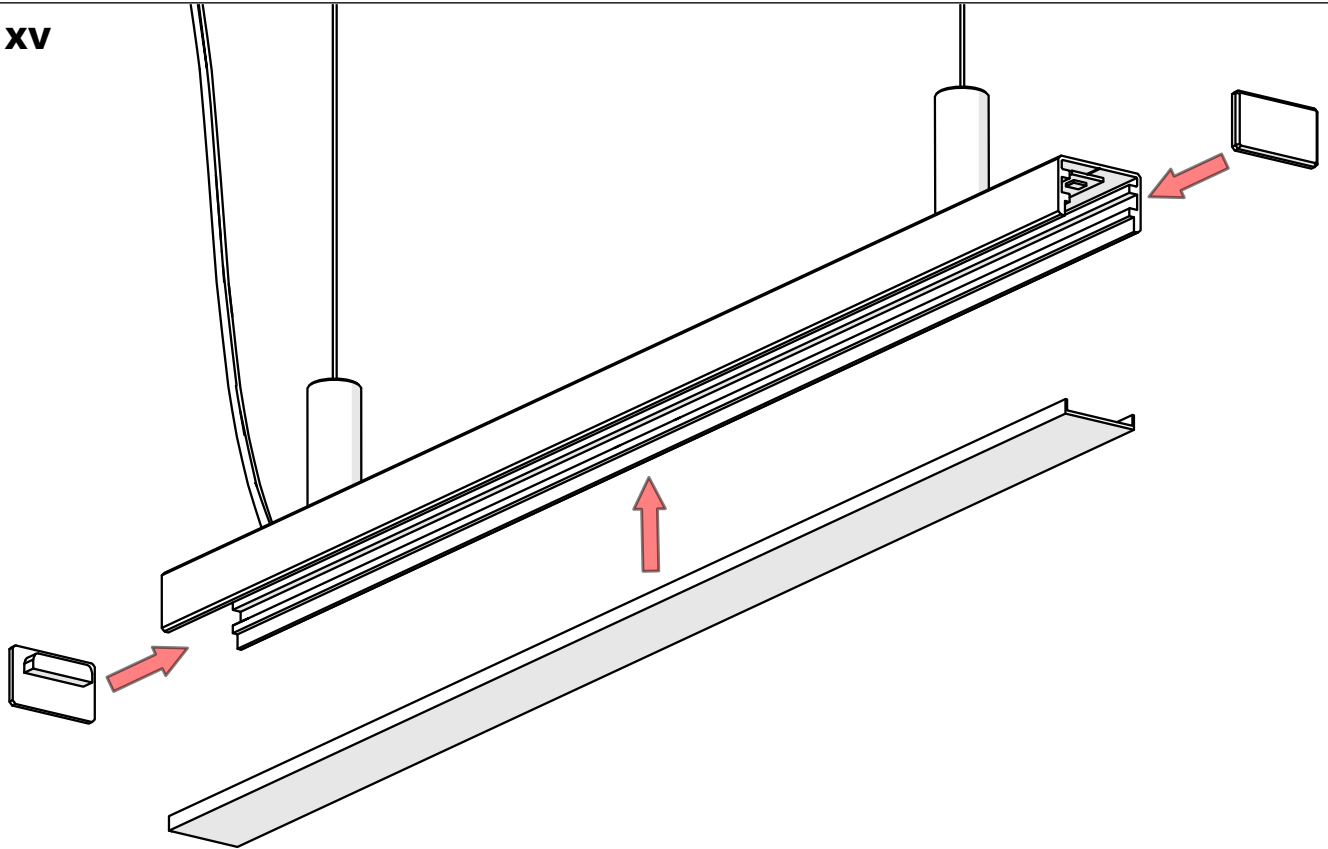
**XIII**



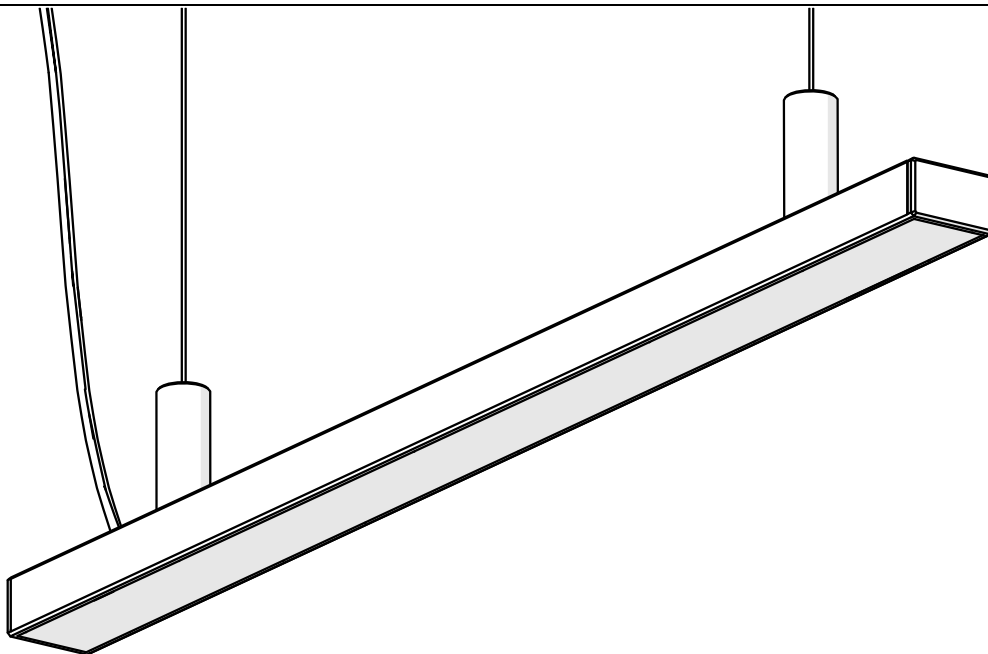
**XIV**



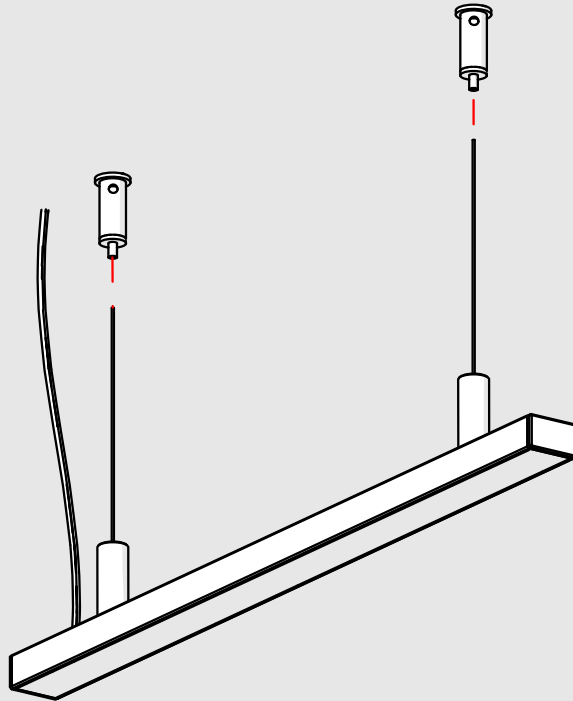
**XV**



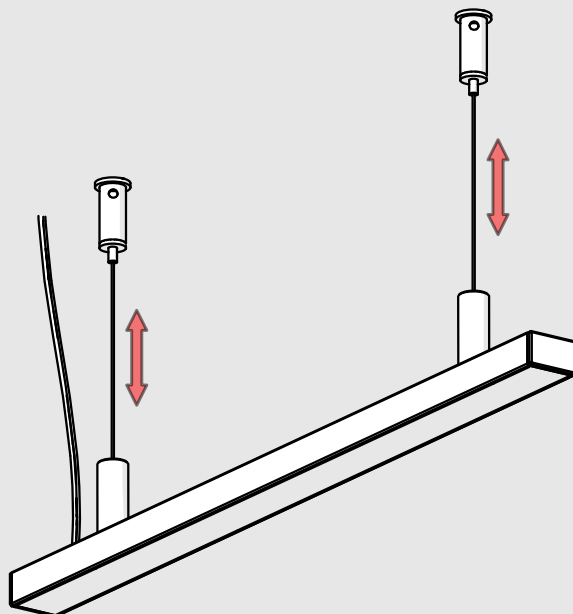
**XVI**



**XVII**



**XVIII**



**XIX**

