

- 1.1 RAM-3035-KOZE profile (item 1.1)
 - 1.2 RAM-3035-KOZE profile (item 1.2)
 - 1.3 Spring (item 1.3)
 - 2. 3035-O profile (Ref. B8441)
 - 3. Locking bolt*
 - 4. End cap for item 1.1*
 - 5. LED tape*
 - 6. Gland*
 - 7. Power supply (12 V / 24 V)*
 - 8. End cap for item 2.*
- (Ref. 18056)

- 9. Wedge*
- 10. Cover*
- 11. Silicone cord*

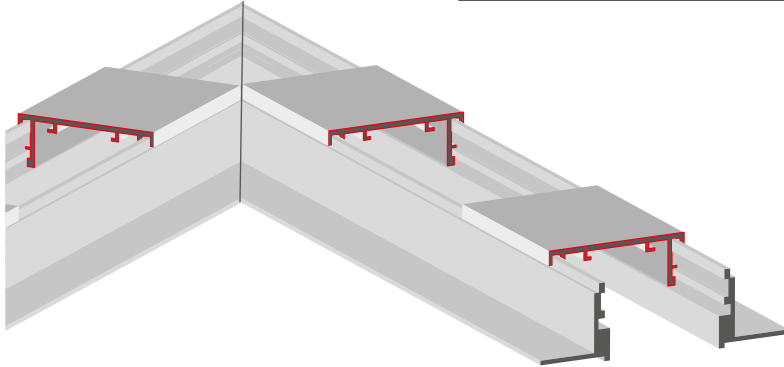
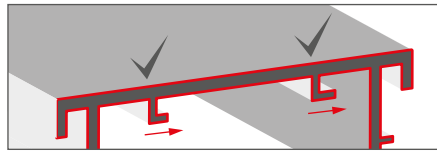
*The full range of accessories and electronics is available at www.KlusDesign.eu

NOTE! All LED tapes must be connected to a 12 V or 24 V power supply.

IMPORTANT: Not all possible mounting procedures are presented here. More mounting procedures and related accessories can be found at www.KlusDesign.eu. Drawings of extrusions and accessories in these instructions are simplified and only approximate the actual shapes.

I (Correct)

The hook points correctly - outwards



The RAM-3035-KOZE and 3035-O profiles can be used to build polygonal lighting fixtures.

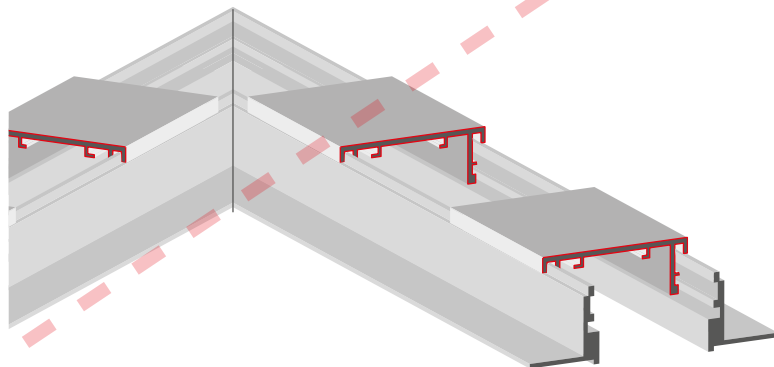
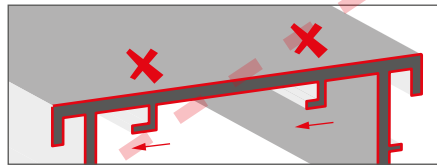
The RAM-3035-KOZE profile is not symmetrical!

When mounting the profile in a polygonal shape, the hooks must be directed to the outside of this geometric figure. The profile must be glued into the drywall with the correct side.

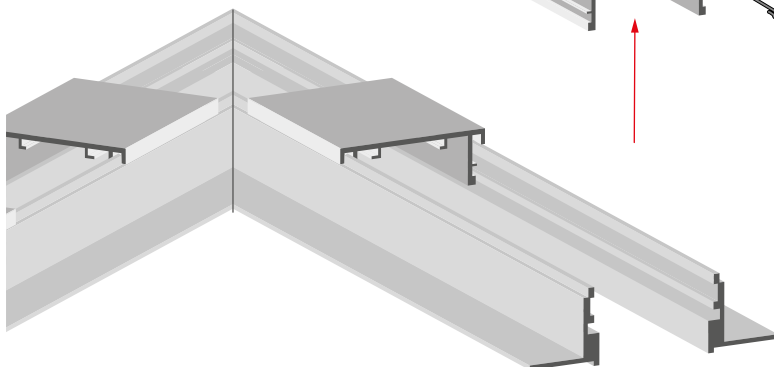
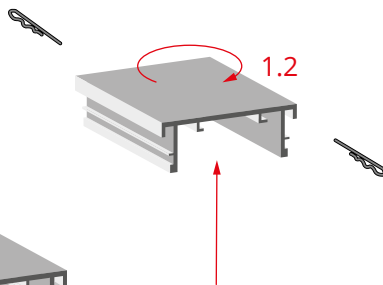
In lighting fixtures resembling a zigzag shape, individual profile sections must be positioned separately. Hooks must always be pointing outside the "bend".

II (Incorrect)

The hook points incorrectly - inwards



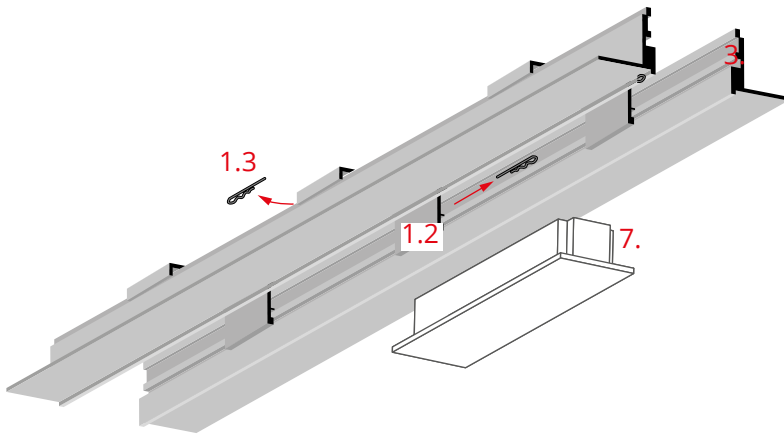
III (Optionally)



In the event of an error, the position of the hooks can be corrected by disconnecting the items (1.2) and turning them over (see page 3).

b) Groove preparation using the RAM-3035-KOZE profile

Ia

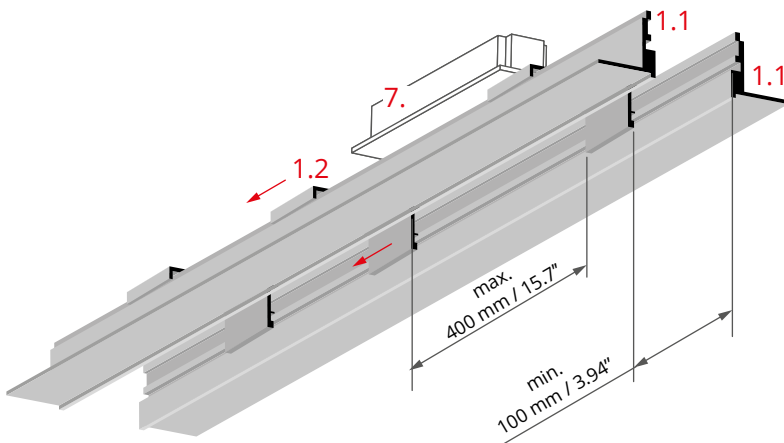


If the power supply (7) does not fit into the openings of the RAM-3035-KOZE profile, its items (1.2) must be slid further apart accordingly.

To do this, remove the springs (1.3).

This can also be done after finishing the wet work.

Ila

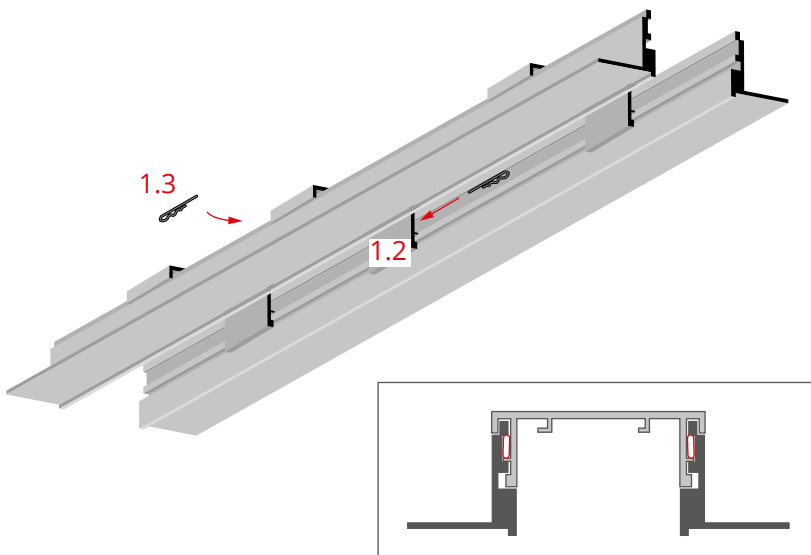


Slide the items (1.2) along the item (1.1).

The minimum distance of the last item (1.2) from the end of the profile is 100 mm / 3.94". The distance between items (1.2) cannot exceed 400 mm / 15.7".

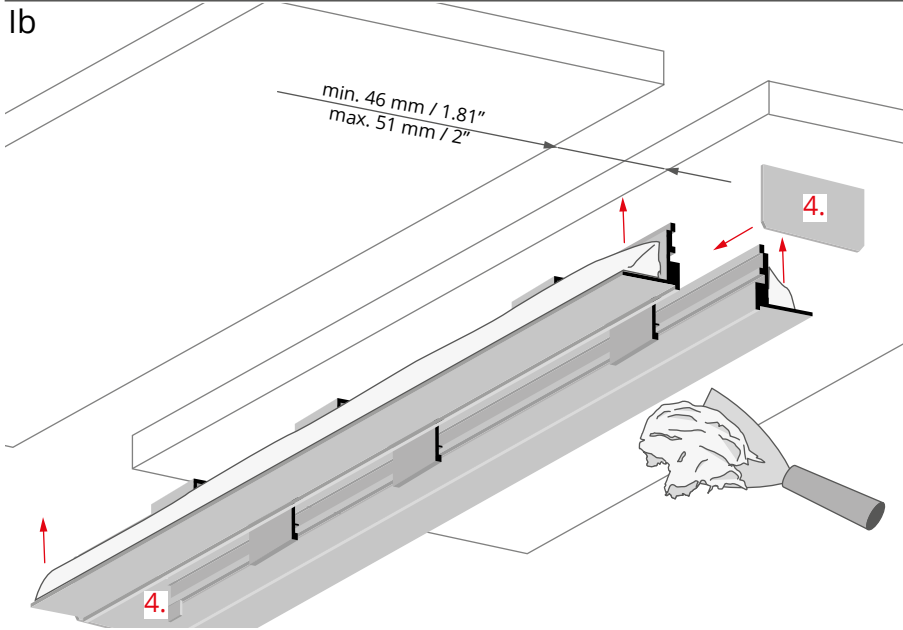
After sliding items (1.2), make sure that the power supply (7) now fits into the enlarged opening.

IIla



Put the springs (1.3) back in the items (1.2).

b) Groove preparation using the RAM-3035-KOZE profile

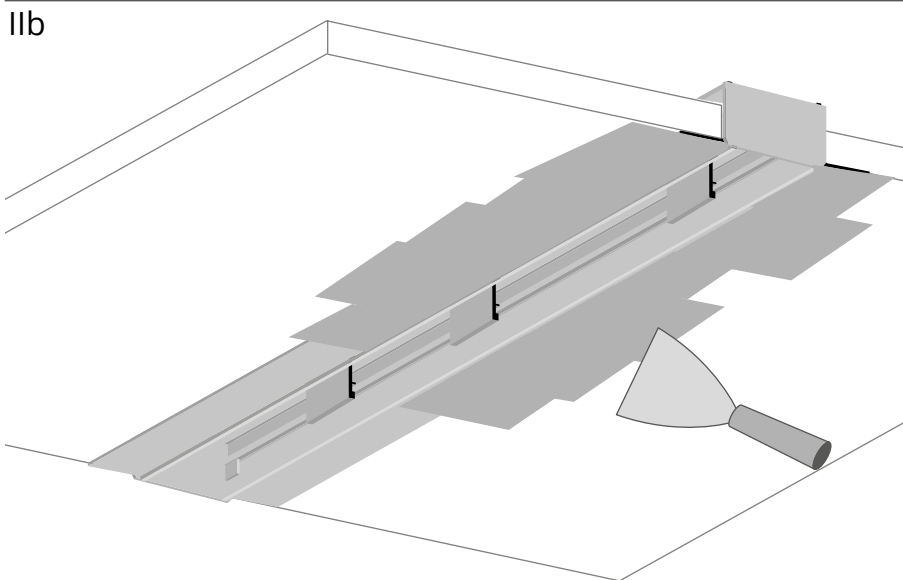


Attach end caps for item 1.1 (4).

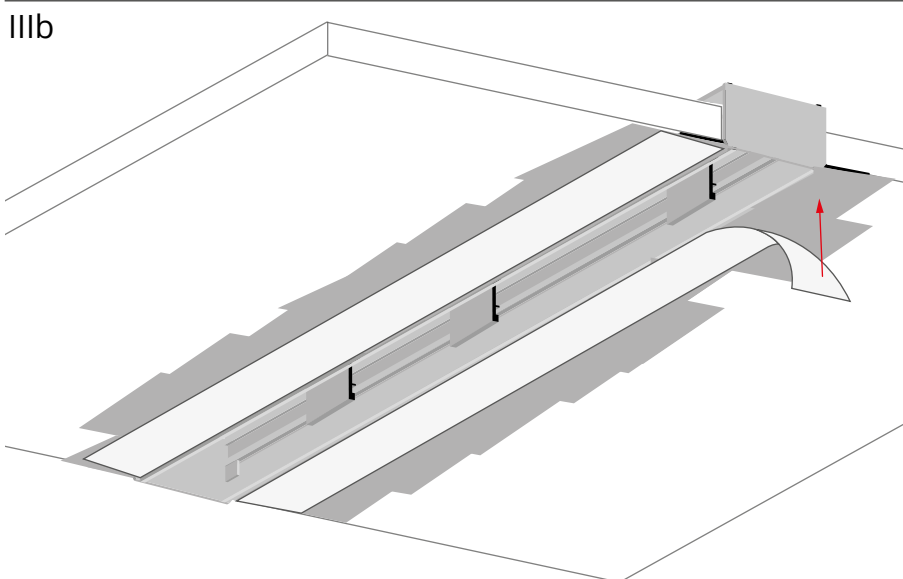
The groove in the ceiling should be between 46 mm / 1.18" and 51 mm / 2".

Apply glue evenly to the profile's flanges. Press the profile into the gap and remove excess glue.

NOTE! The profile must not get deformed during mounting!



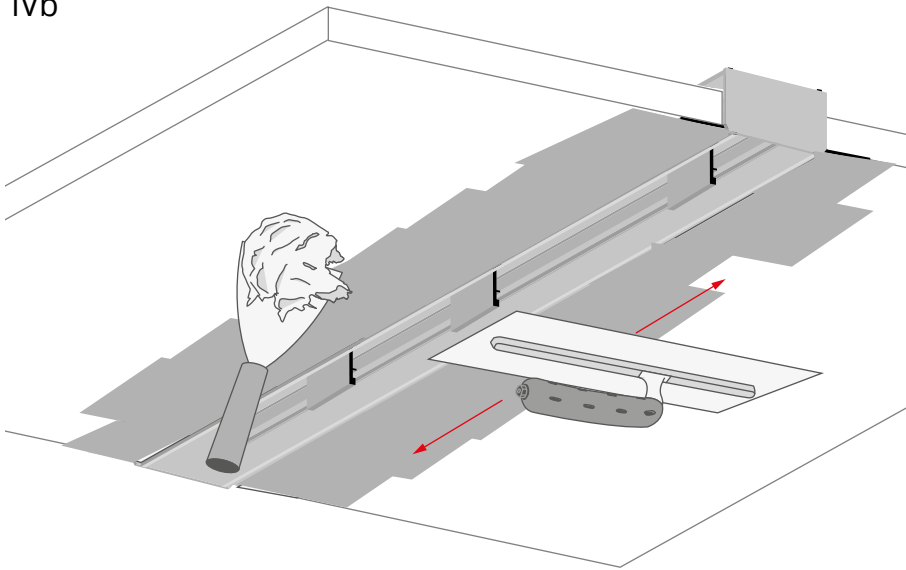
Apply glue and spread it at the junction of the profile's flanges and drywall.



Attach TUFF-TAPE or equivalent at the junction of the profile flanges and drywall.

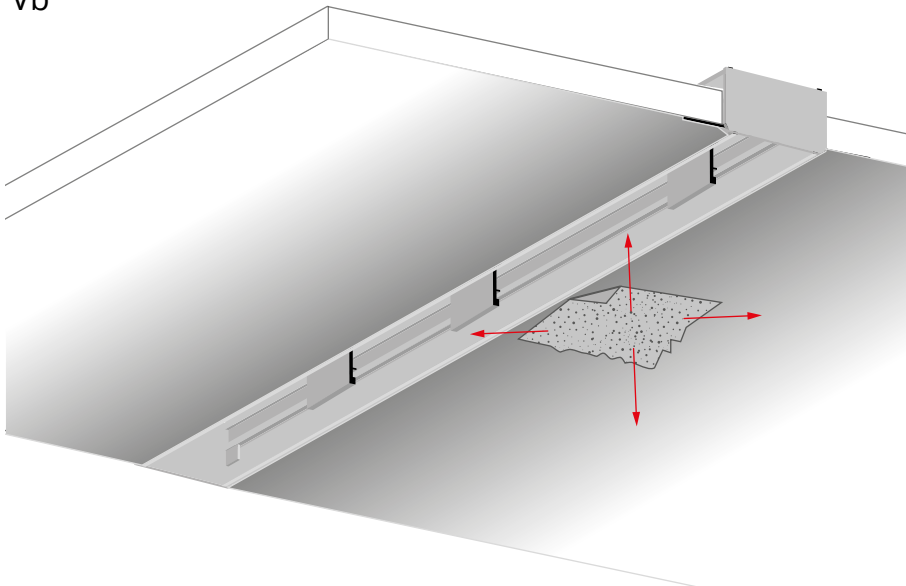
b) Groove preparation using the RAM-3035-KOZE profile

IVb



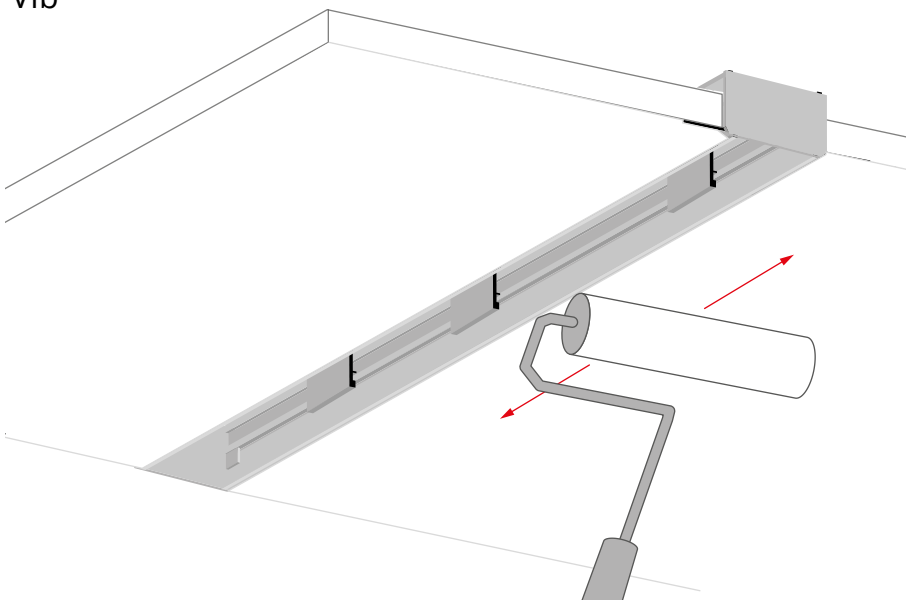
Apply plaster and make the surface even.

Vb



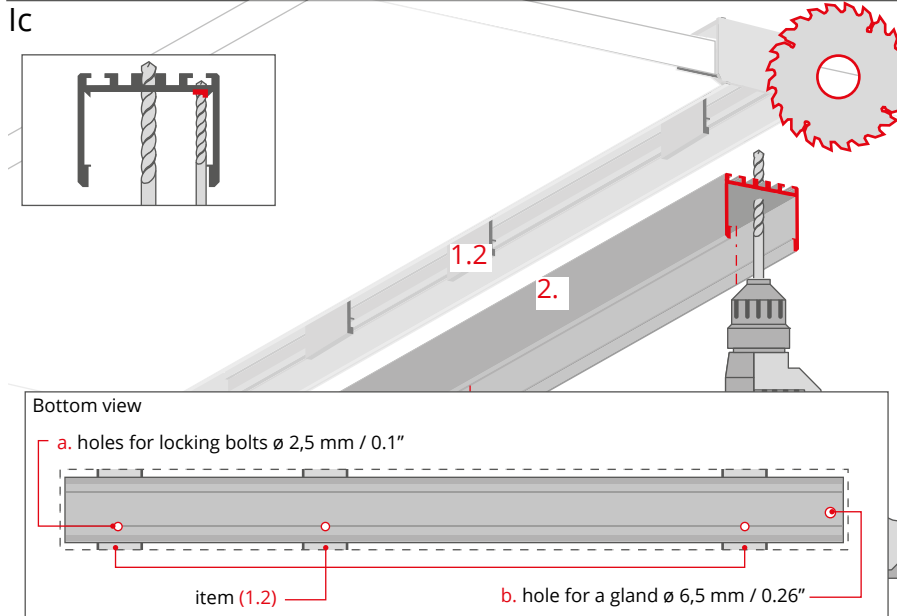
Smoothen the surface with sandpaper.

VIb



Prime and paint the surface.

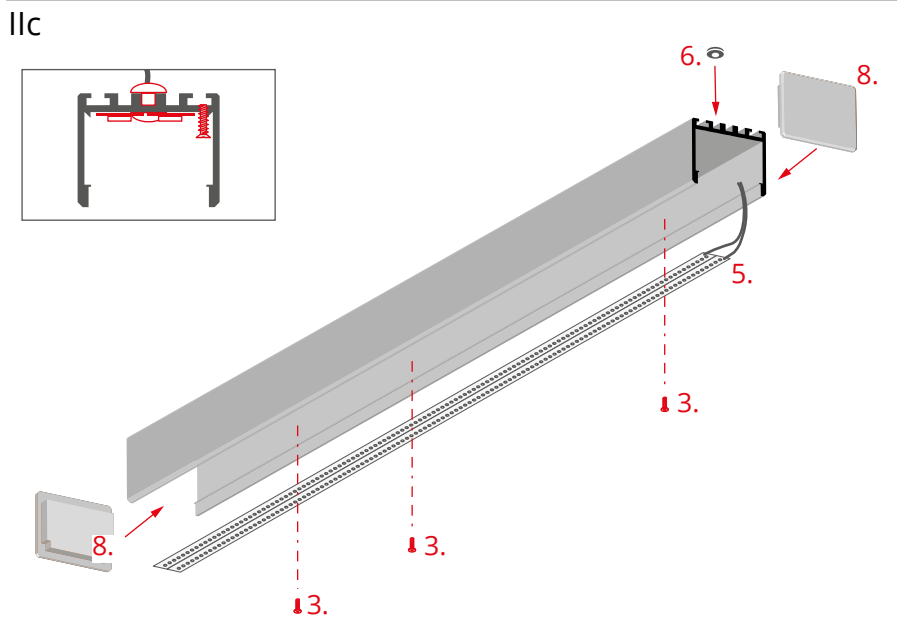
Skip to pg. 7 if assembled light fixture is received from factory.



a. Drill holes for locking bolts in the profiled orientation line in the 3035-O profile (2).
The number of holes must be equal to the number of bolts used. Each hole should be in the middle of the corresponding item (1.2). There must be a minimum of two bolts per 1 meter of a profile.

b. Drill a hole in the 3035-O profile (2) for the cable gland.

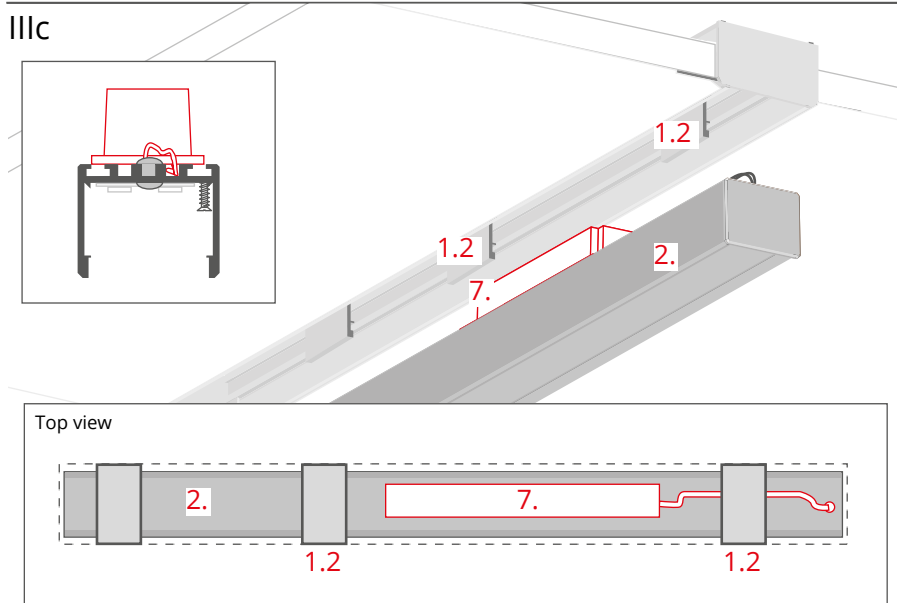
NOTE! The 3035-O profile (2) must be shortened by 6 mm / 0.24" at each end where the end caps will be mounted.



Adhere the LED tapes (5), mount the gland (6) and route the power cable through it.

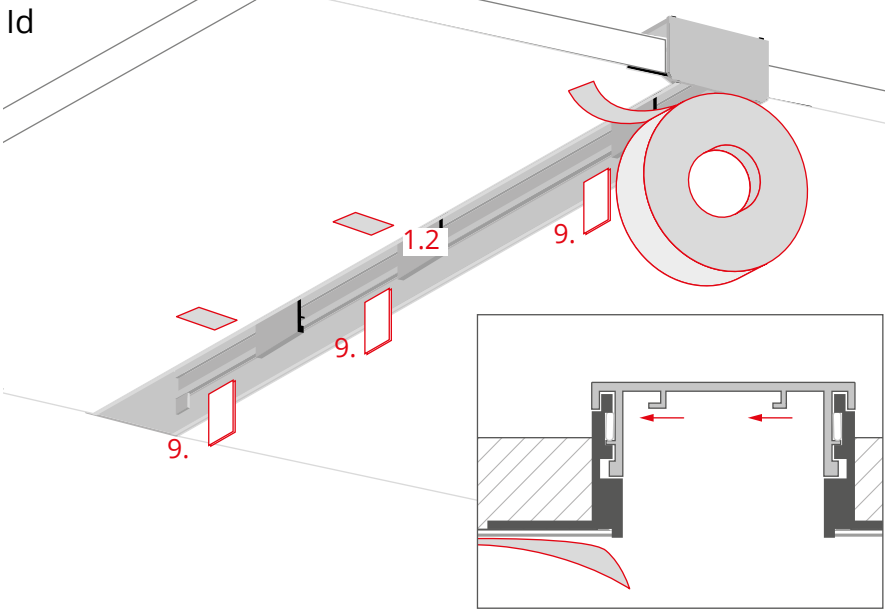
Attach end caps to the item 2. (8).

Locking bolts (3) can be tightened preliminarily in the pre-drilled holes before mounting the profile at its destination (after mounting the LED tapes).



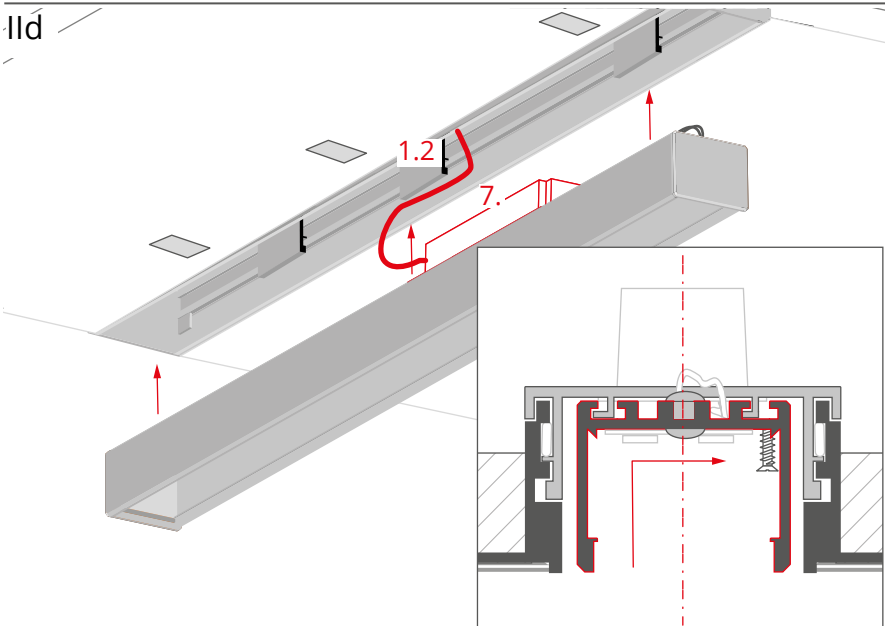
Mount the power supply (7) on the back of the profile in such a position that it fits into the opening of the RAM-3035-KOZE profile.

Run the power cable to the power supply through one of the channels in the 3035-O profile (2.1), so that it does not protrude above the surface.



To facilitate further work, mark the location of the items (1.2) in the RAM-3035-KOZE profile, e.g. with colored adhesive tape.

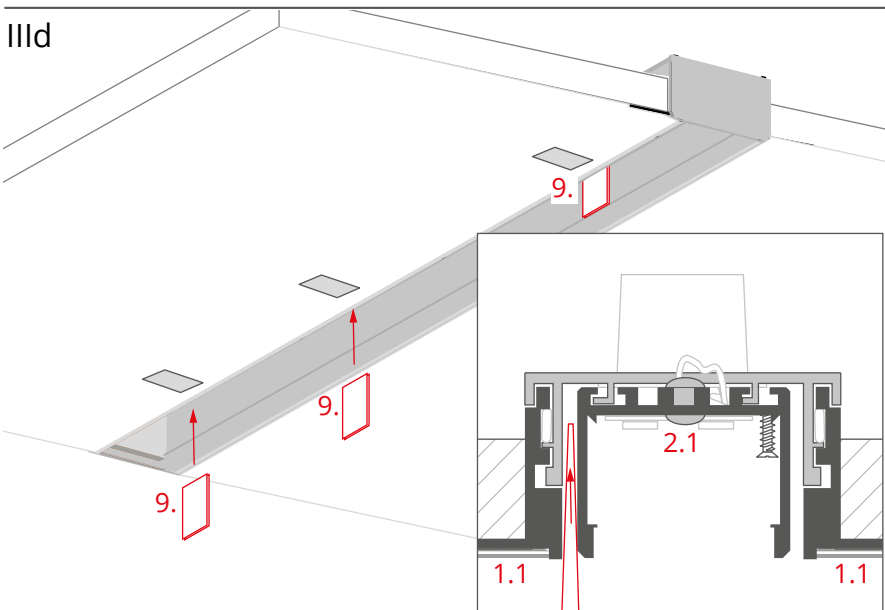
Prepare as many wedges (9) as there are items (1.2). They will prevent the 3035-O profile from falling out in the initial phase of the mounting procedure.



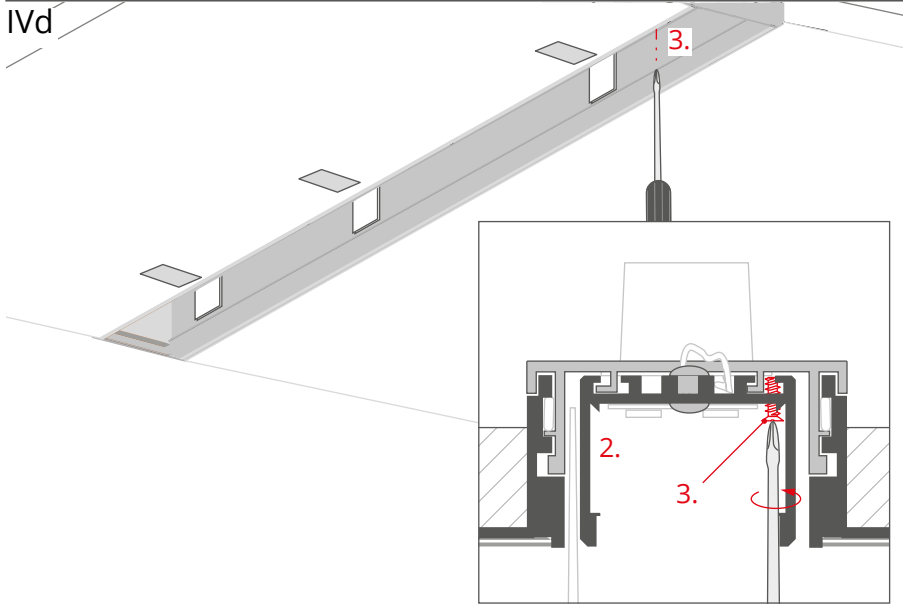
Connect the main power cables to the power supply (6).

Insert the 3035-O profile into the prepared mounting track.

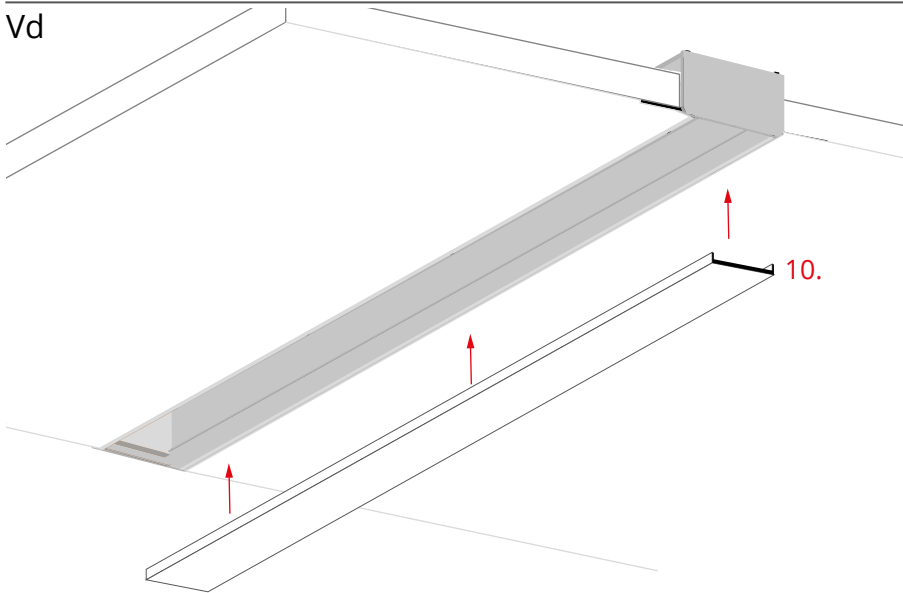
To do so, press the profile to the wall of the RAM-3035-KOZE from the side of the profiled orientation line. After that, press it to the item (1.2) and move it towards the axis of the RAM-3035-KOZE. This will make the hooks of the 3035-O profile interlock with the hooks of the items (1.2).



To prevent the 3035-O profile from falling out, insert wedges temporarily (9). They should be inserted into the marked spots in the gap between item (1.1) and 3035-O profile (2). There should be one wedge for each marked element (1.2) and they should be placed from the side of the profiled orientation line.

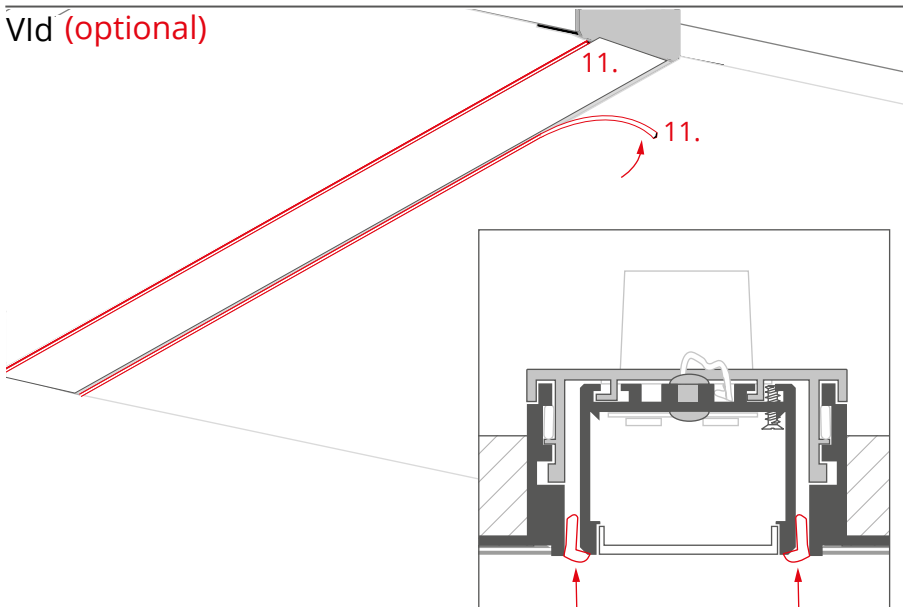


Secure the 3035-O profile (2) against slipping out by tightening the locking bolts (3) in the pre-drilled holes.



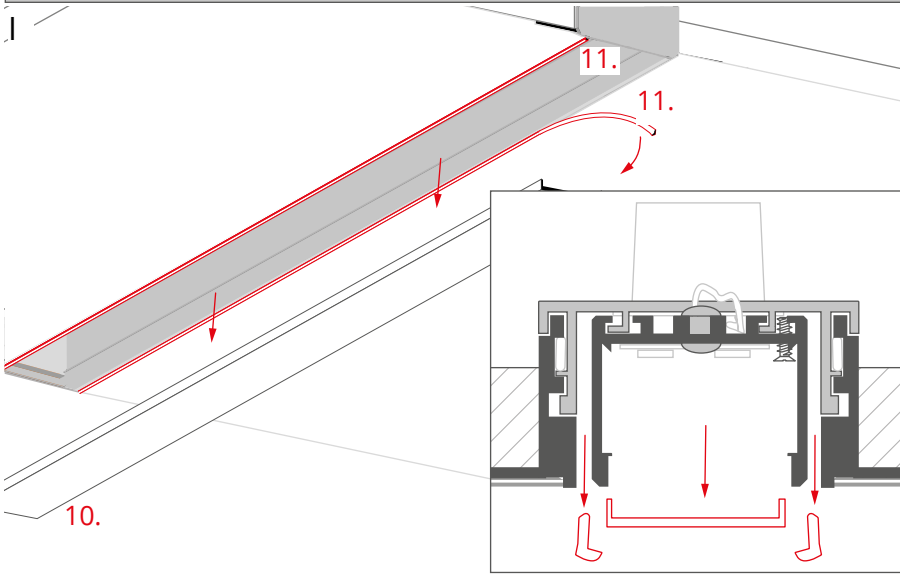
Remove wedges and markings.

Attach the cover (10) by slightly bending the edge of the profile outwards.



Mount the optional silicone cords (11).

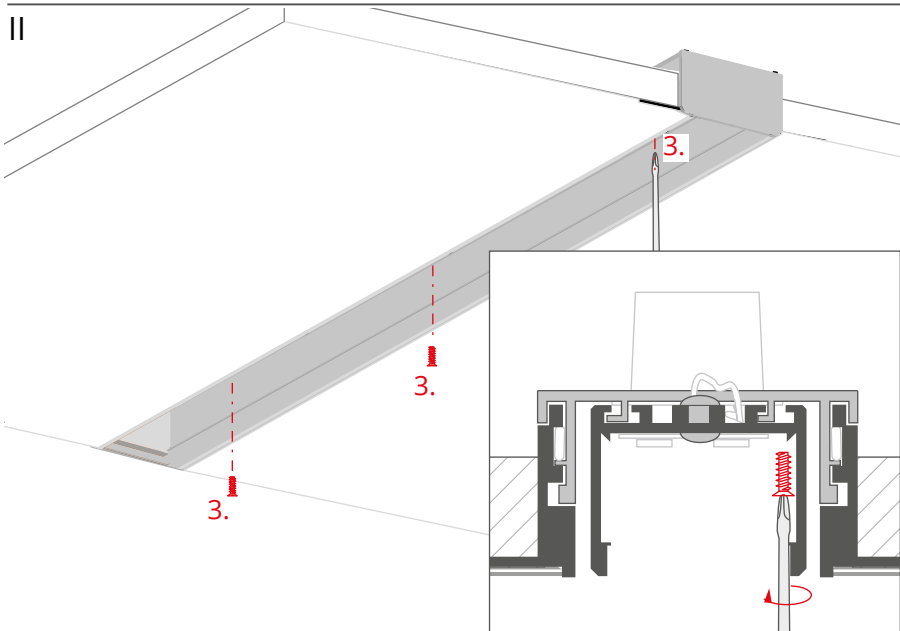
SERVICE



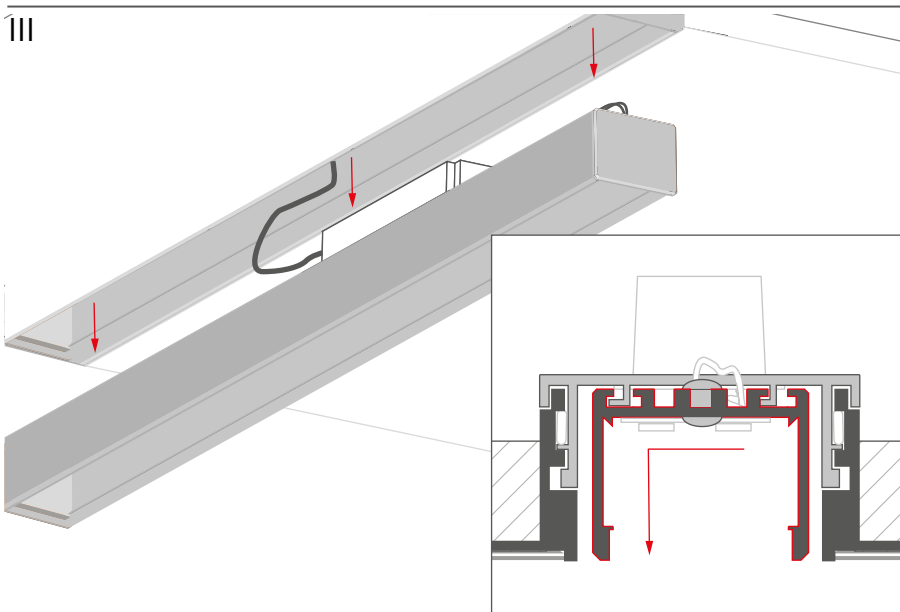
Remove the optional silicone cords (11).

Slightly bend the edge of the profile. Hook the edge of the cover (10) with a flat tool and slide the tool along the single edge of the profile so the cover will snap out.

Do not bend the cover by force!



Remove the locking bolts (3).



Slide the 3035-O profile towards the profiled orientation line and pull it down (as shown in the figure).